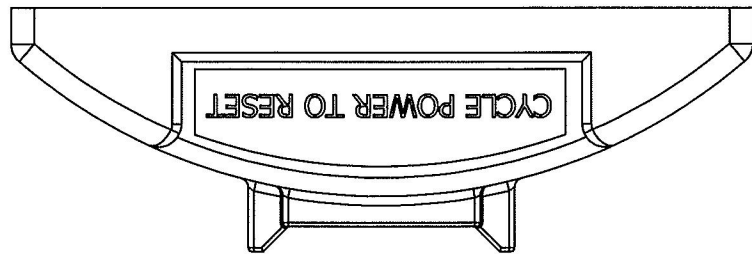
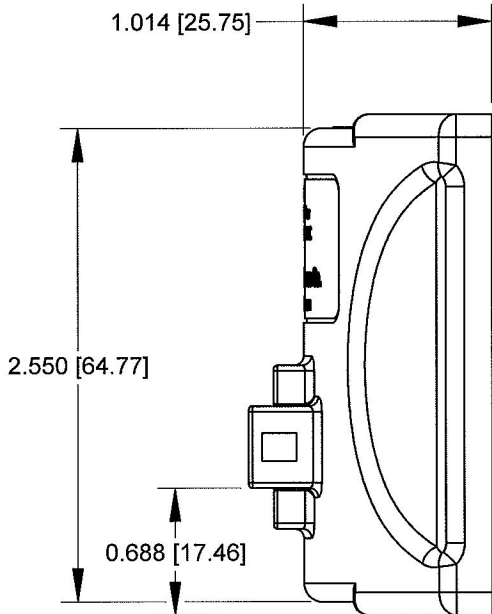
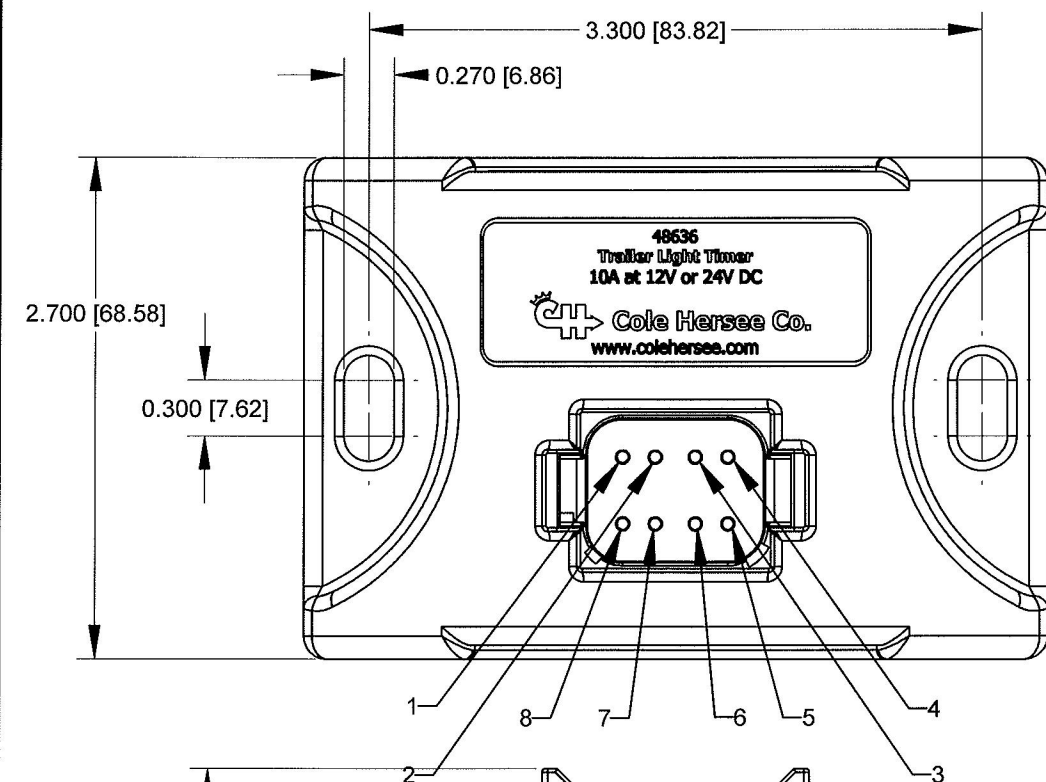


4 | 3 | 2 | 1



B

B

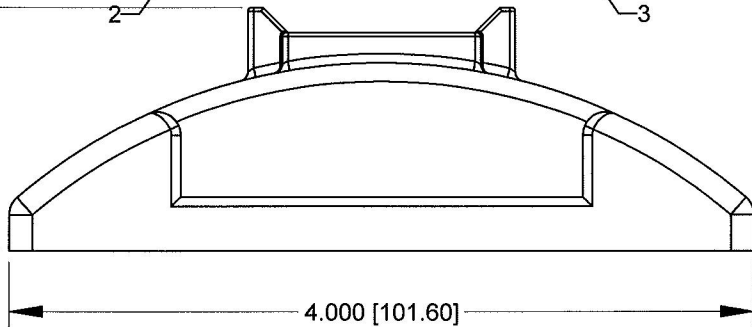


NOTES:

1. ALL DIMENSIONS ARE REFERENCE ONLY
2. SPECIFICATIONS:
 OPERATING VOLTAGE: 9-32VDC
 CURRENT RATING: LOAD+ 10A AT 85°C
 QUIESCENT CURRENT 2 mA MAX
 OPERATING TEMPERATURE: -40°C TO 85°C
 OVERCURRENT THRESHOLD: 12 - 17A (LOAD+ ONLY)
3. CONNECTOR PINOUT:
 PIN1: UNUSED
 PIN2: GROUND (BATTERY-)
 PIN3: LOAD+
 PIN4: BATTERY+
 PIN5: TRIGGER
 PIN6: UNUSED
 PIN7: REDUNDANT GROUND (BATTERY-)
 PIN8: REDUNDANT GROUND (BATTERY-)
4. MATING CONNECTOR: DEUTSCH P/N DT06-08S
5. MATING PINS: DEUTSCH P/N 0462-201-16141
6. UNUSED PINS SHOULD BE SEALED WITH BLANKING PIN- DEUTSCH P/N: 114017
7. ONLY ONE GROUND (BATTERY -) CONNECTION IS REQUIRED FOR PROPER OPERATION. ALL OTHER GROUNDS ARE REDUNDANT
8. SEALED TO IP67 (PROVIDED BLANKING PINS USED)

A

A



Revision Control Record				Rev.	Description of Change	ECN No.	Date
A	RELEASED DRAWING	09513	10/26/09				
B	ADD -01	10054	03/01/10				
C	ADDED VIEW & DIMS	11113	4/20/11				

Tolerances Unless otherwise specifically noted, the following are default tolerances:
2-places **3-places** **Angular**
 +/- 0.02" +/- 0.005" +/- 1'
 Metric: Shown in [] refers to equivalent English Dim Tol
 "REF." or an Asterisk (*) = Non-Toleranced Reference Dimension, shown for clarification purposes only.
 NOTE: All tolerances are Non-Cumulative.

PROPRIETARY INFORMATION This Engineering Drawing, and the information contained herein, is proprietary to Cole Hersee Company and may not be disclosed, re-produced, or in any other way transferred or communicated to any other party without the express written consent of an authorized representative of Cole Hersee Company.

- Special Characteristics:**
- Critical Characteristic, relating to Safety and/or Regulatory Compliance
 - Significant Characteristic relating to Process Control
 - Control Dimension relating to Form - Fit - Function as defined by Cole Hersee Company and/or the Customer

Cole Hersee Co.
 20 Old Colony Ave., South Boston, MA, 02127
 Phn: 617-268-2100 Web: www.colehersee.com

TRAILER LIGHT TIMER

Drawing / Part No.: **48636** Current Rev.: **C**

FORM CHT-6 (2/07) Used On or Ref.: **EX28656** Scale: 1:1 Drawn By: **CN** Date Drawn: **10/26/09** Pg. 1 of 2

4 | 3 | 2 | 1