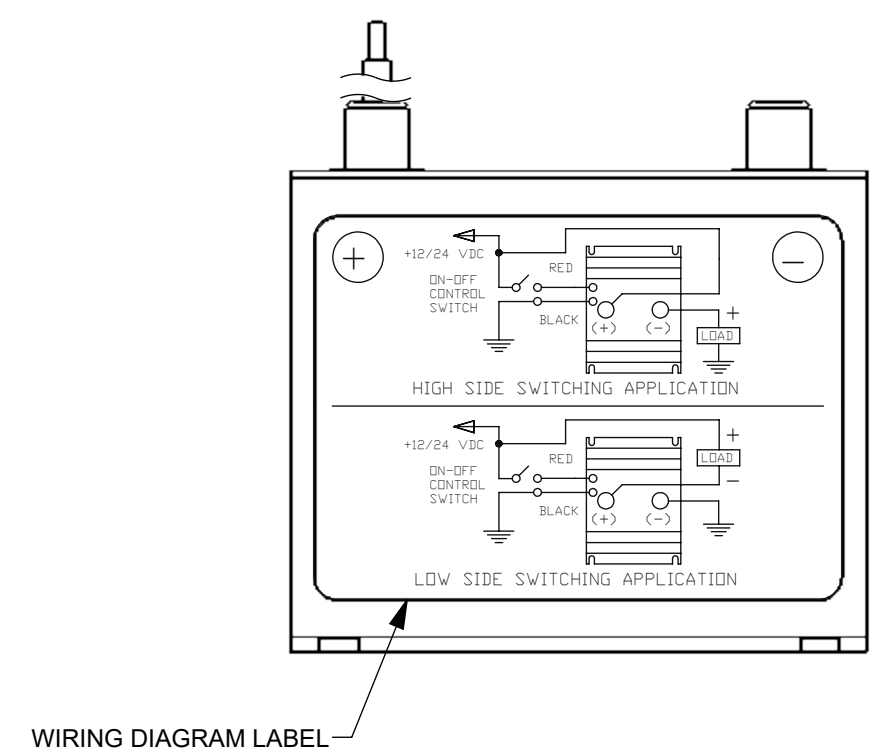
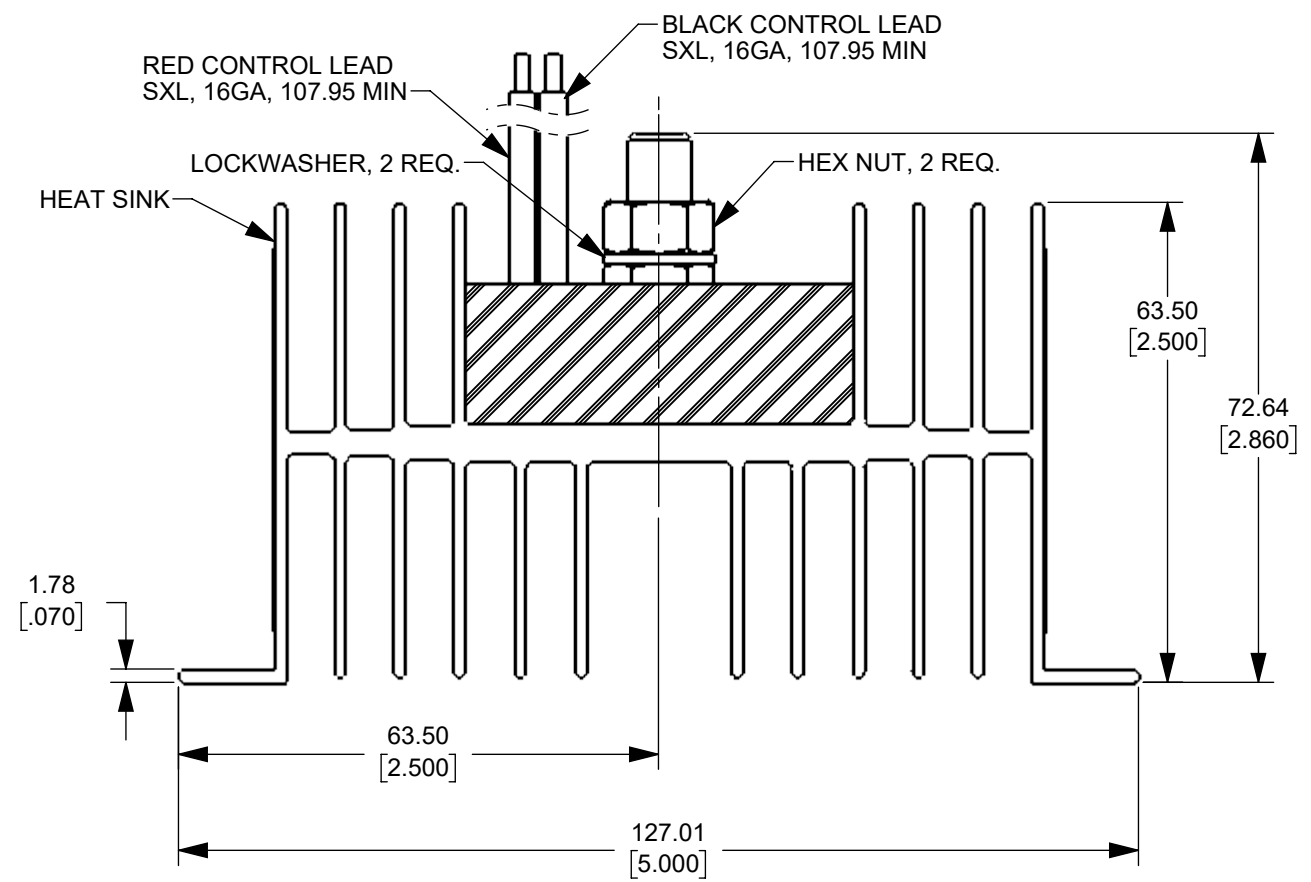
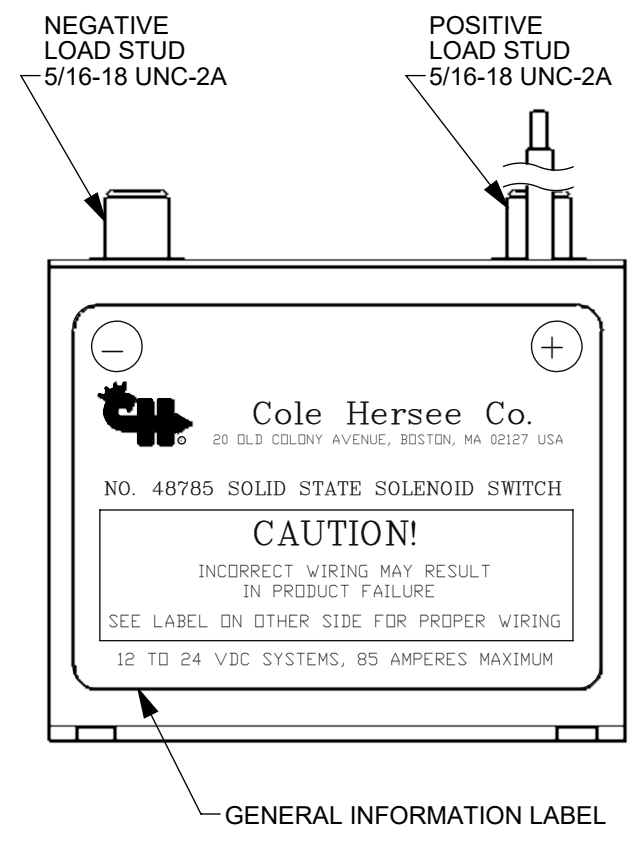
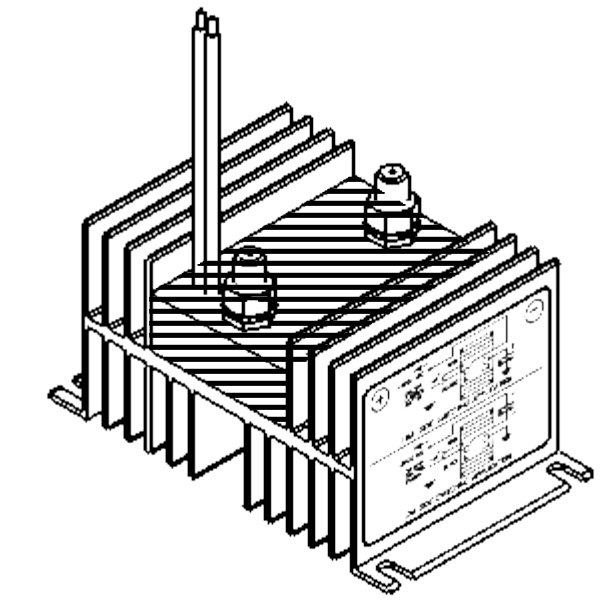
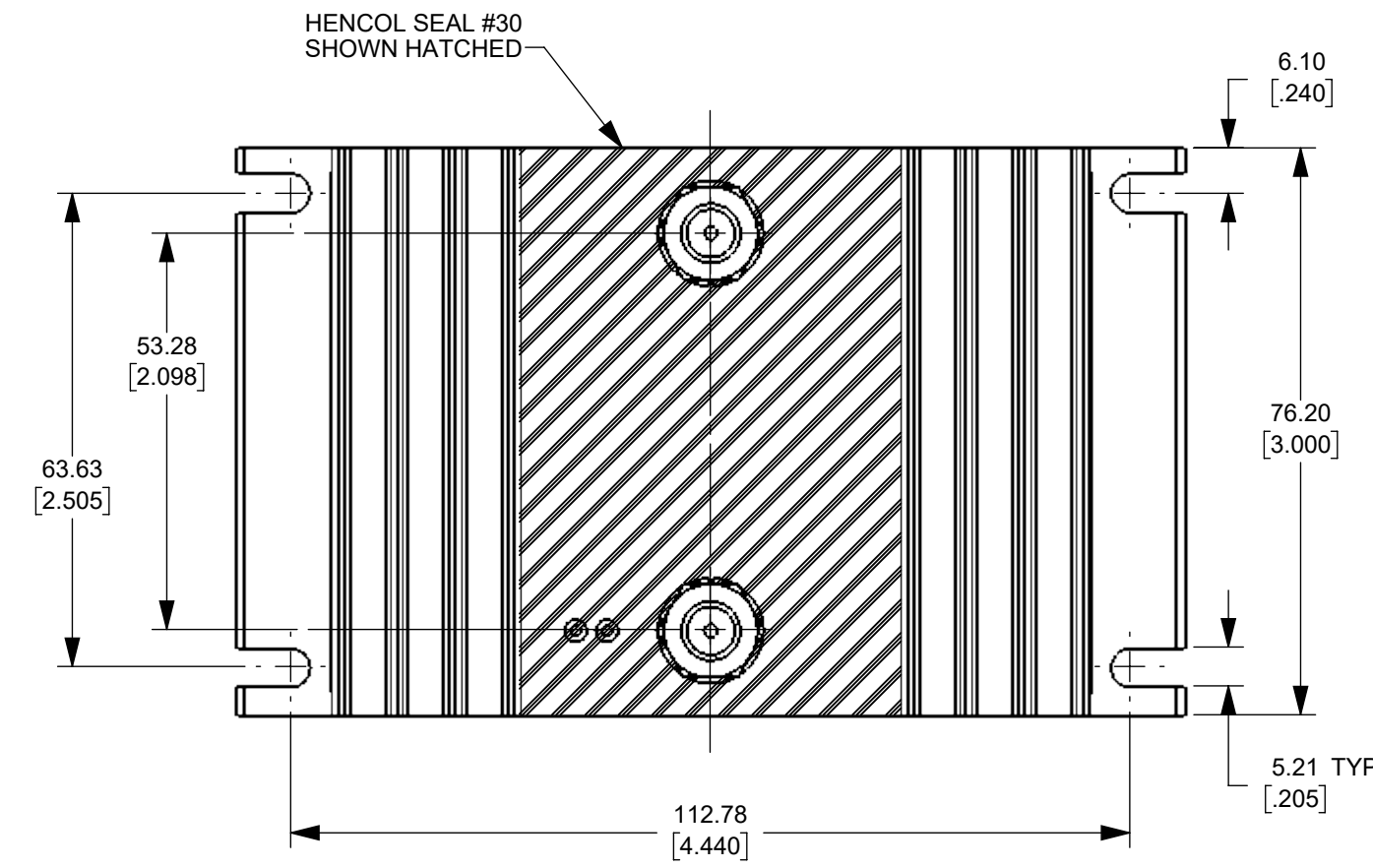


REVISIONS				
ZONE	REV.	DESCRIPTION	DATE	APPROVED
	A	ECN# 00024	TY 1/14/2020	
	B	ECO #523271 - ADD SPECIFICATION NOTE RELATED TO ADD STICK LABEL & WHITE BOX PACKAGING	2/10/2021	S CASTILLO



- NOTES:
- ALL STEEL PARTS ARE PLATED.
  - ALL DIMENSIONS ARE REFERENCE ONLY.
  - PACK SOLENOID IN WHITE BOX CA-531 AND STICK LABEL 663 (PROP. 65) IN BOX.

DIMENSIONS ARE SHOWN IN MILLIMETERS. DIMENSIONS AND TOLERANCES ARE DEFINED ACCORDING TO ANSI/ASME Y14.5-1994.

- FIT/ FUNCTION CRITICAL CHARACTERISTICS SYMBOL
- <S> SAFETY/ COMPLIANCE CRITICAL CHARACTERISTICS SYMBOL
- CPK DENOTES CPK DIMENSIONS MINIMUM CPK VALUE
- (ST) DENOTES A CHARACTERISTIC THAT PROVIDES AN INDICATION OF PROCESS PERFORMANCE PROCEDURE FOR MEASUREMENT AND TRACKING TO BE DEFINED IN LITTELFUSE INSPECTION INSTRUCTIONS
- CP DENOTES CP DIMENSIONS - MINIMUM CP VALUE MUST BE WITHIN THE DIMENSIONAL LIMITATIONS SHOWN ON DRAWING AND INITIALLY LOCATED TO ALLOW FOR MAXIMUM TOOL LIFE

TOLERANCES UNLESS OTHERWISE SPECIFIED (REF ISO2768-M) FOR METAL, REF SPI PLASTICS

DIMENSION	UP TO	OVER	UP TO	OVER	UP TO	OVER	UP TO	ANGLE
MM	0.5 - 3	3 - 6	6 - 30	30 - 120	120 - 400			
TOLERANCES	±0.1	±0.1	±0.2	±0.3	±0.5			±0.5*

NAME	DATE
DRAWN TY	09/14/99
CHECKED -	-
-	-
-	-

FORM NO: CVP-PE40-0005 REV A

THIRD ANGLE PROJECTION

DO NOT SCALE DRAWING

SCALE 1:1

SHEET 1 OF 1

**Littelfuse**  
Expertise Applied | Answers Delivered

TITLE: SOLID STATE SOLENOID

SIZE C DWG. NO. 48785 REV. B

MM [INCH]