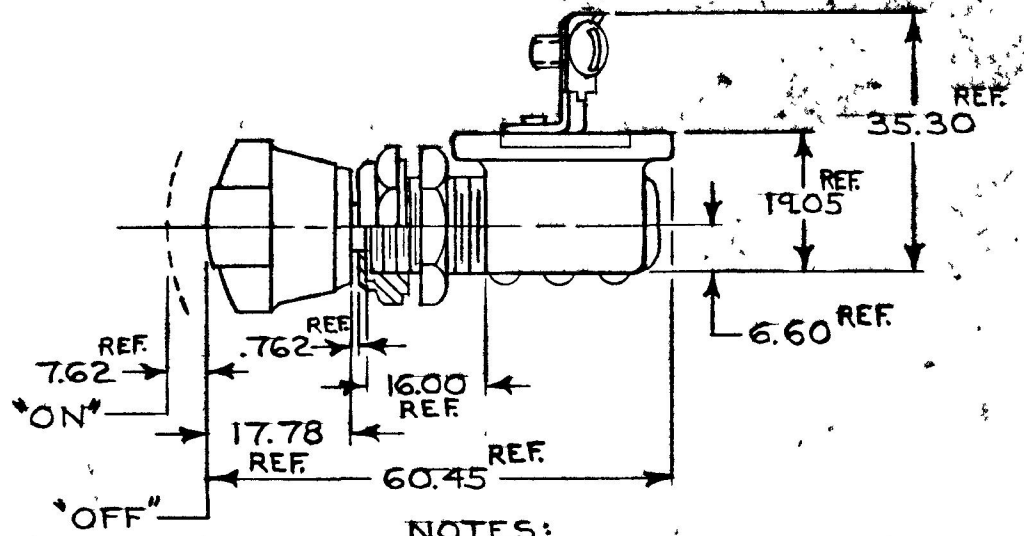
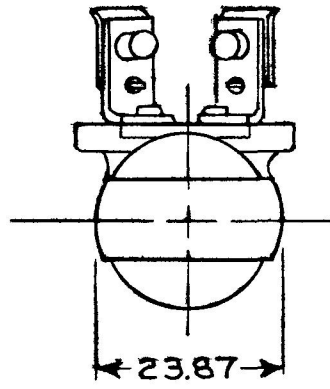
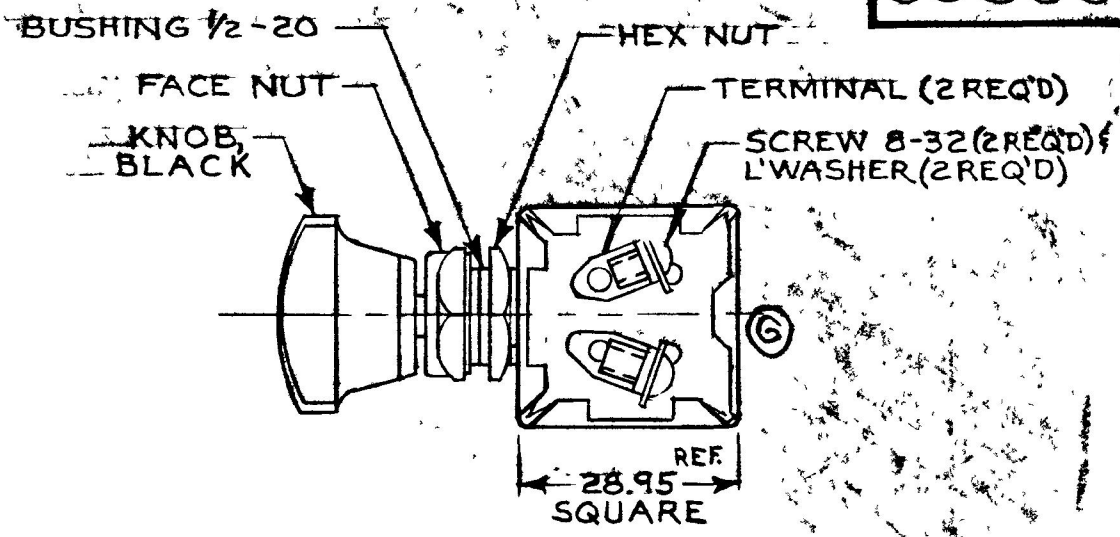
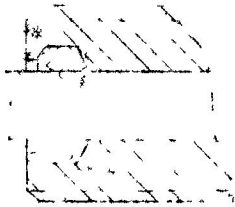


50066

MM IN  
 .762 .030  
 6.60 .260  
 7.62 .300  
 16.00 .630  
 17.78 .700  
 19.05 .750  
 23.87 .940  
 35.30 1.390  
 60.45 2.380



④ 4 KNOB AND HARDWARE SHIPPED LOOSE

NOTES:  
 1. SILVER CONTACT SURFACES.  
 2. "O" RING SEAL IN BUSHING.  
 3. GASKET SEAL AT TERMINAL INSULATOR.

DO NOT SCALE

METRIC

LET	WAS	DATE	BY	LET	WAS	DATE	BY	MATERIAL	DRAWN	CHECKED	APPRV D	SCALE	DATE DRAWN			
								<i>X</i>	SB	<i>[Signature]</i>		1:1	8-6-63			
								FINISH	Cole Hersee Co. <small>70 OLD COLONY AVENUE SOUTH BOSTON MA U.S.A. 02127</small>				DATE BLUEPRINT			
				H	ECN # 99173	5/13/99	JPF	<i>X</i>								
				G	ECN # 27164 MOD CUTOUTS	2/24/98	Jin	TOLERANCES								
				F	REDRAWN	1-31-86	Yk	DECIMAL ± METRIC ±	SWITCH, PUSH PULL				50066			

CH-188(4-78)