

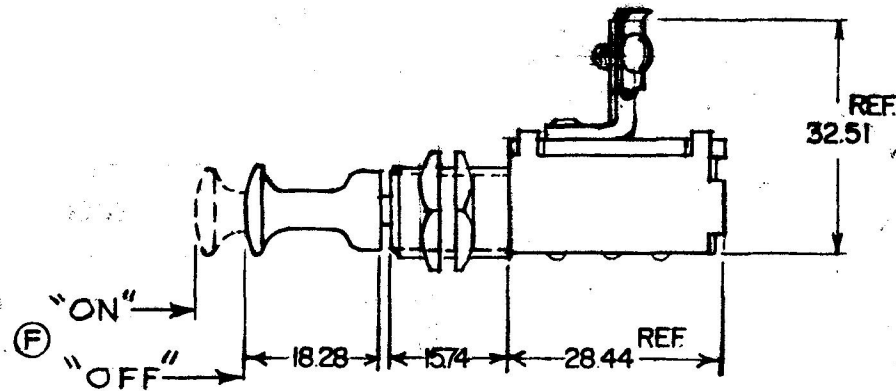
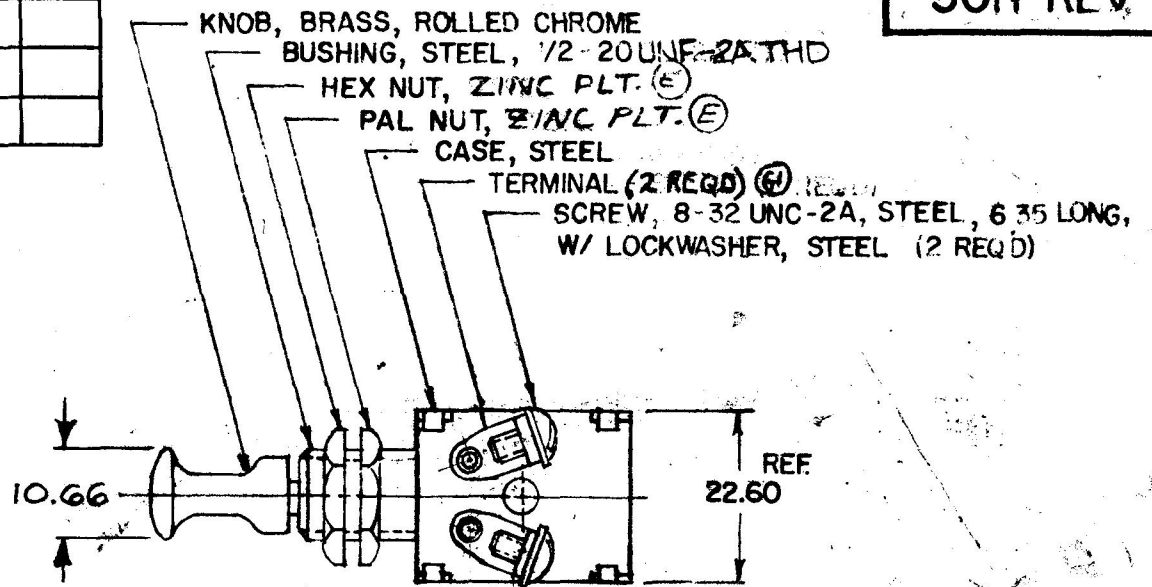
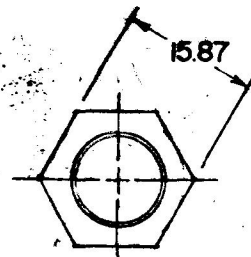
COLE-HERSEE CO.

MM
 .25
 6.35
 10.06
 15.74
 18.78
 22.60
 28.44
 32.51

IN
 .010
 .250
 .420
 .620
 .720
 .890
 1.120
 1.280

5011 REV

SEQ.	DEPT.	OPERATING INSTRUCTIONS	DIE	MACH.



METRIC

NOTE:
 (G) ALL STEEL PARTS PLATED INO PLT. W/
 10% MIN. ZINC

DO NOT SCALE

LET	WAS	DATE	BY	LET	WAS	DATE	BY	MATERIAL	DRAWN	CHECKED	APPR'D.	SCALE	DATE DRAWN
									EHD	1-31-79		1:1	2-19-59
								FINISH	COLE-HERSEE COMPANY BOSTON, MASS. 02127, U.S.A.				DATE BLUEPRINT
								TOLERANCES					PUSH-PULL SWITCH
								FRACTIONAL ±					
								DECIMAL ±.25					

SPAULDING CO., INC.