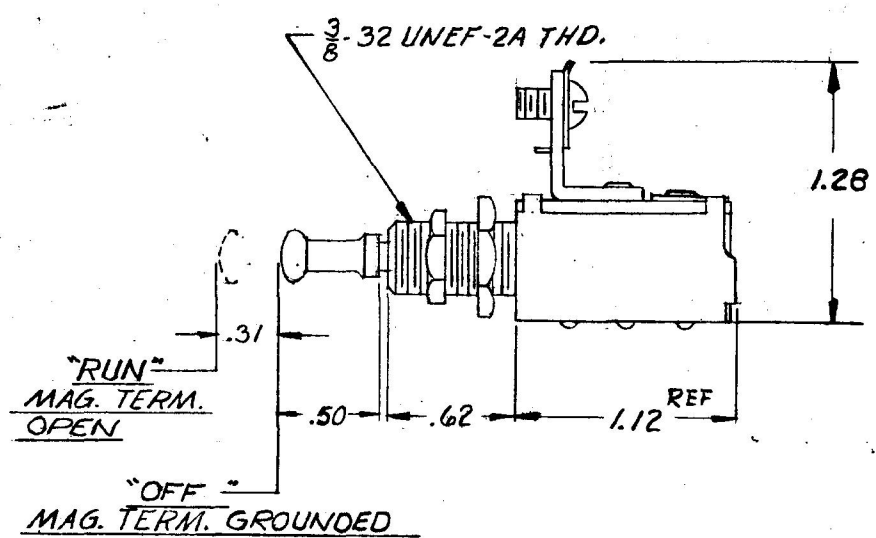
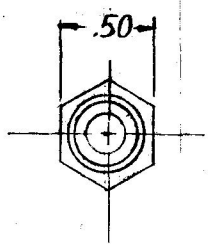
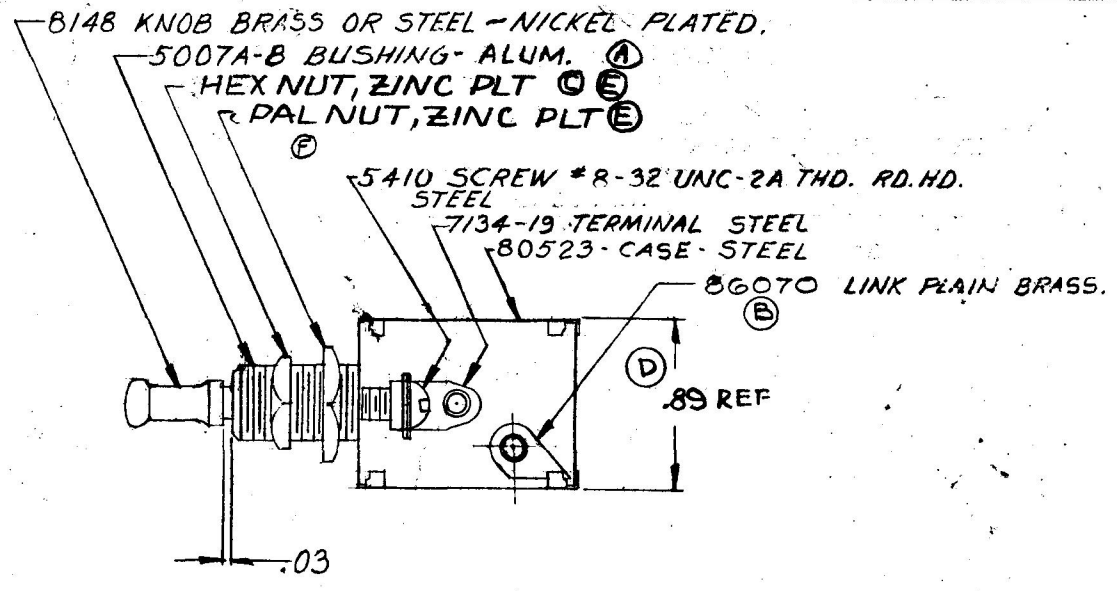


COLE-HERSEE CO.

50203

Ⓒ NOTE:
ALL STEEL PARTS PLATED



LET	WAB	DATE	BY	LET	WAB	DATE	BY	MATERIAL	DRAWN	CHECKED	APPR'D	SCALE	USED ON	DATE DRAWN
				D	.87	117578	1-11-72	RF	NOTED	C.F.S.		FULL		1-2-63
				C	8319	17310	6-22-71	RF	FINISH					DATE ISSUED
G	NOTE ADDED/ 25234	12/22/91	TJH	B	5007A-12	16071	3-7-66	C	NOTED					
F	ECN 24528	4/8/92	JH	A	BRASS	14170	6-29-64	S						
E	REV/20975	10-15-80	Ⓒ		ISSUED		11-4-63	S	TOLERANCES FRACTIONAL ± DECIMAL ±.010	NAME MAGNETO PUSH-PULL SWITCH			PART NO. 50203	