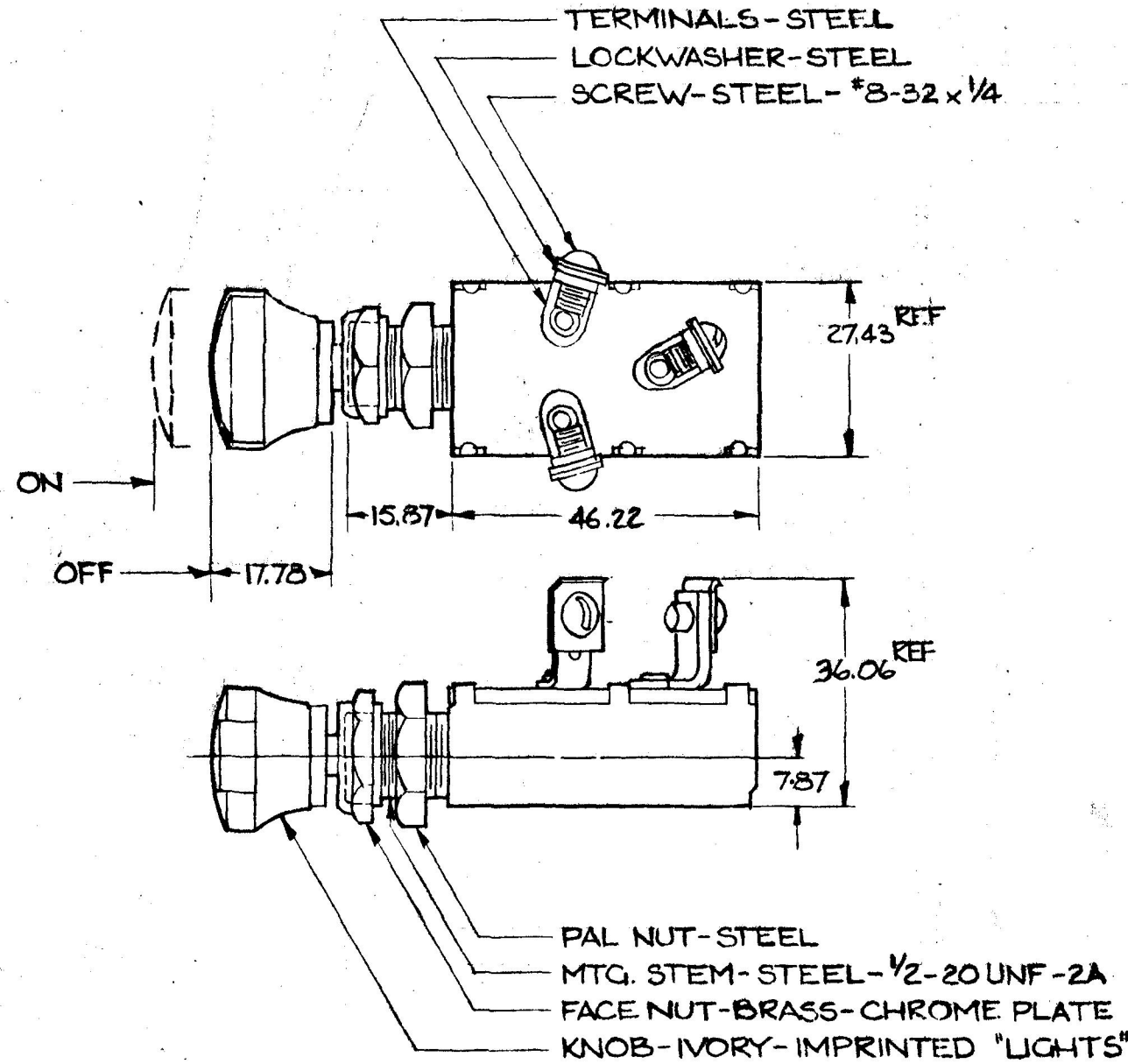


MM Z  
 7.57 .310  
 15.87 .625  
 17.78 .700  
 27.43 1.080  
 46.22 1.820  
 36.06 1.420  
 0.25 .010

5027



- NOTES:
- 1) SILVERED CONTACT SURFACES
  - 2) NUMBER OF POLES 1  
2 CIRCUIT  
NUMBER OF THROWS 1
  - 3) SEALING: NONE
  - ④ 4) ALL STEEL PARTS PLATED

5) RATING

	RESISTIVE	INDUCTIVE
12V	18 AMP	15 AMP
24V	10 AMP	8 AMP

LIFE @ RATED CURRENT  
 MAKE & BREAK  
 12V-100,000 MIN  
 24V-50,000 MIN

COLE-HERSEE CO

METRIC

SPAULDING CO., 21-5313

LET	WAS	DATE	BY	LET	WAS	DATE	BY	MATERIAL	DRAWN	CHECKED	APPR'D	SCALE	DATE DRAWN
								—H—	KJE	TY		FULL	5-8-52
								—H—					DATE BLUEPRINT
								TOLERA					
								FRACTION/					
								DECIMAL					
												DO NOT SCALE	
												COLE-HERSEE COMPANY	
												BOSTON, MASS. 02127, U.S.A.	
												PUSH-PULL SWITCH	
												5027	