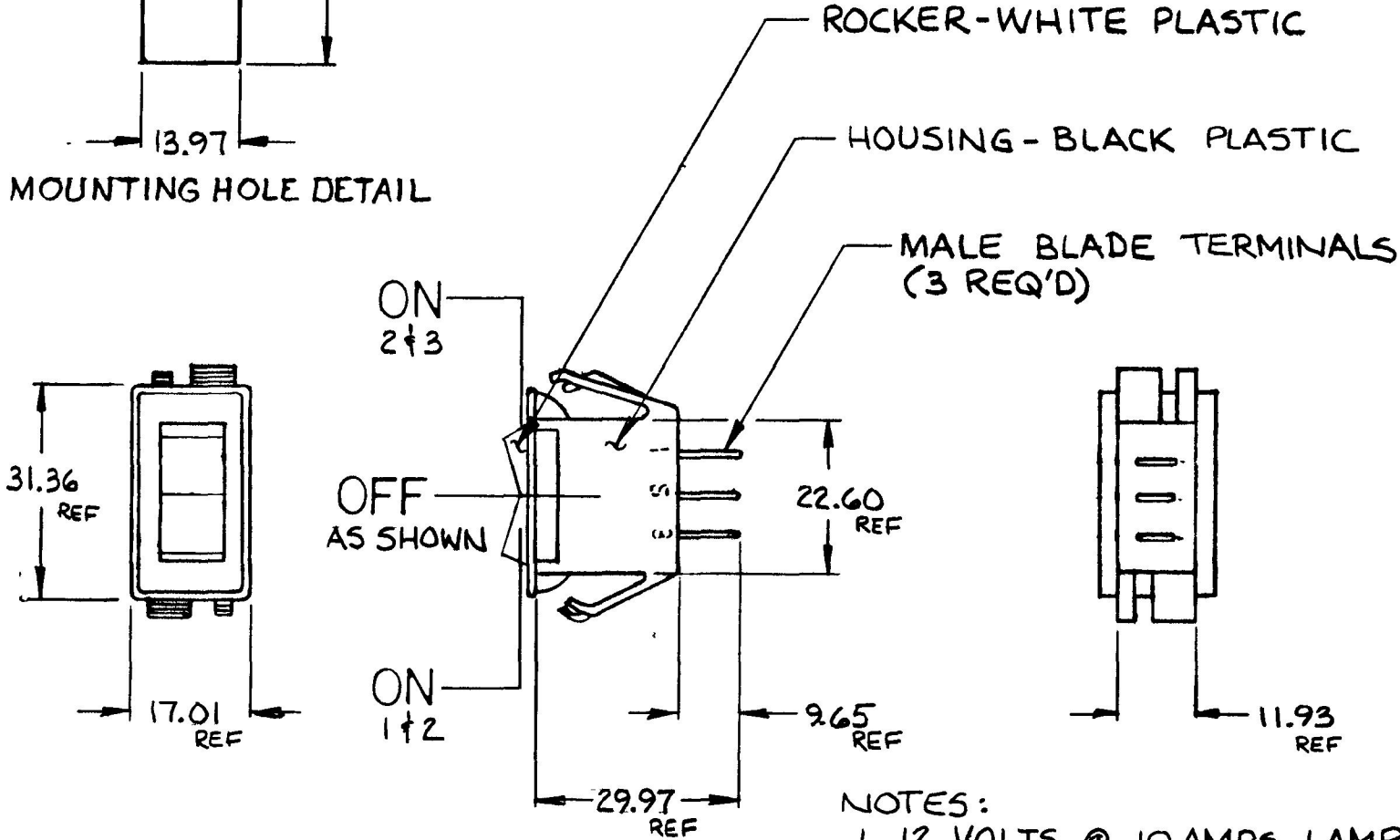
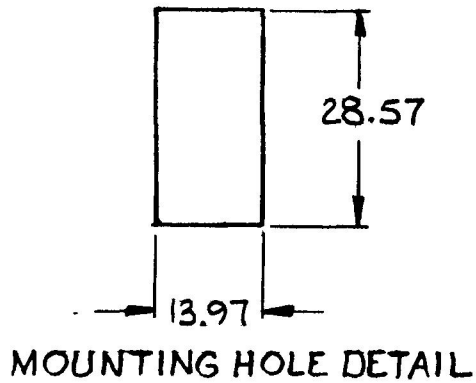


54001-02

| | |
|-------|-------|
| MM | IN |
| .50 | .020 |
| 6.35 | .250 |
| 9.65 | .380 |
| 11.93 | .470 |
| 13.97 | .550 |
| 17.01 | .670 |
| 22.60 | .890 |
| 28.57 | 1.125 |
| 29.97 | 1.180 |
| 31.36 | 1.235 |



NOTES:
 1. 12 VOLTS @ 10AMPS LAMP LOAD.
 2. MTG PANEL .50 TO 6.35 THK.

METRIC

DO NOT SCALE

| LET | WAS | DATE | BY | LET | WAS | DATE | BY | MATERIAL | DRAWN | CHECKED | APPR'D | SCALE | DATE DRAWN |
|-----|-----|------|----|-----|--------|---------|----|------------|---------------------------------------------------------------------------------------|---------|--------|-------|----------------|
| | | | | | | | | —//— | YAK | CS | | 1=1 | 5-21-84 |
| | | | | | | | | FINISH | Cole Hersee Co. <small>10 OLD COLONY AVENUE SOUTH BOSTON, MA. U.S.A. 02117</small> | | | | DATE BLUEPRINT |
| | | | | | | | | —//— | | | | | |
| | | | | | | | | TOLERANCES | ROCKER SWITCH | | | | 54001-02 |
| | | | | | | | | DECIMAL ± | | | | | |
| | | | | | | | | METRIC ± | | | | | |
| | | | | | ISSUED | 11-8-84 | CS | | | | | | |

CH-188(4-78)