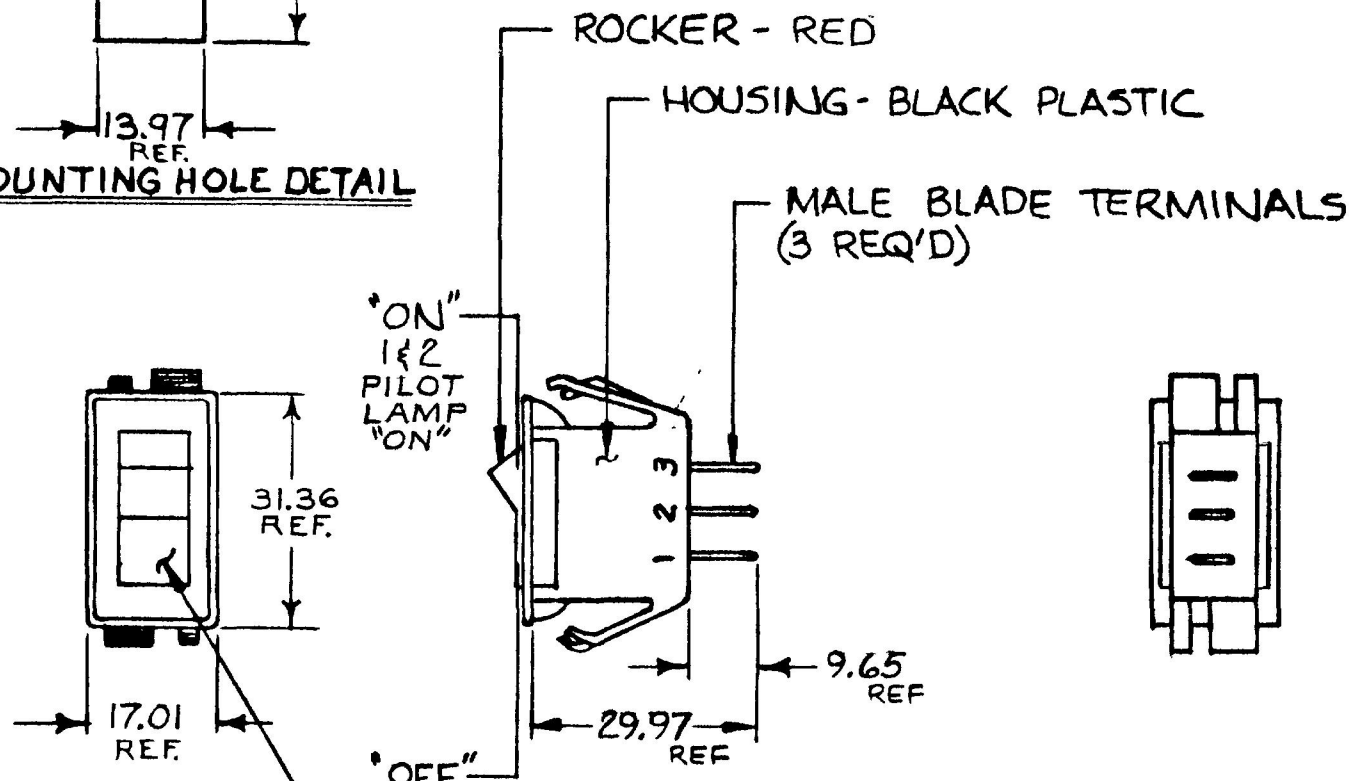
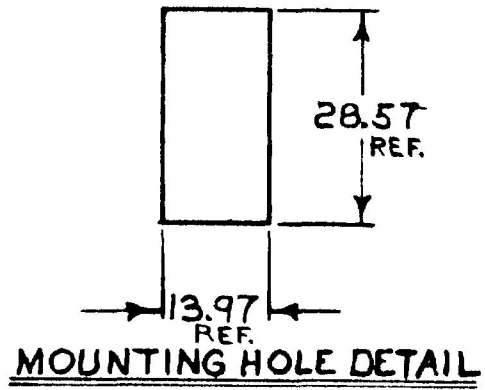


54003

MM	IN
.50	.020
6.35	.250
9.65	.380
13.97	.550
17.01	.670
28.57	1.125
29.97	1.180
31.36	1.235



- NOTES:
1. 12 VOLTS @ 10 AMPS LAMP LOAD.
  2. MTG PANEL .50 TO 6.35 THK
  3. PILOT LAMP 1 & 2

METRIC

DO NOT SCALE

LET	WAS	DATE	BY	LET	WAS	DATE	BY	MATERIAL	DRAWN	CHECKED	APPR'D	SCALE	DATE DRAWN
								H	VAK	CS		1=1	5-19-84
								FINISH	 <b>Cole Hersee Co.</b> <small>20 OLD PLYMOUTH AVENUE SOUTH BEND, IN. 46618</small>				DATE BLUEPRINT
								H					
								TOLERANCES	<b>ROCKER SWITCH</b>				<b>54003</b>
								DECIMAL ±					
								METRIC ±					
					ISSUED	11-15-84	CS						

CH-188(4-78)