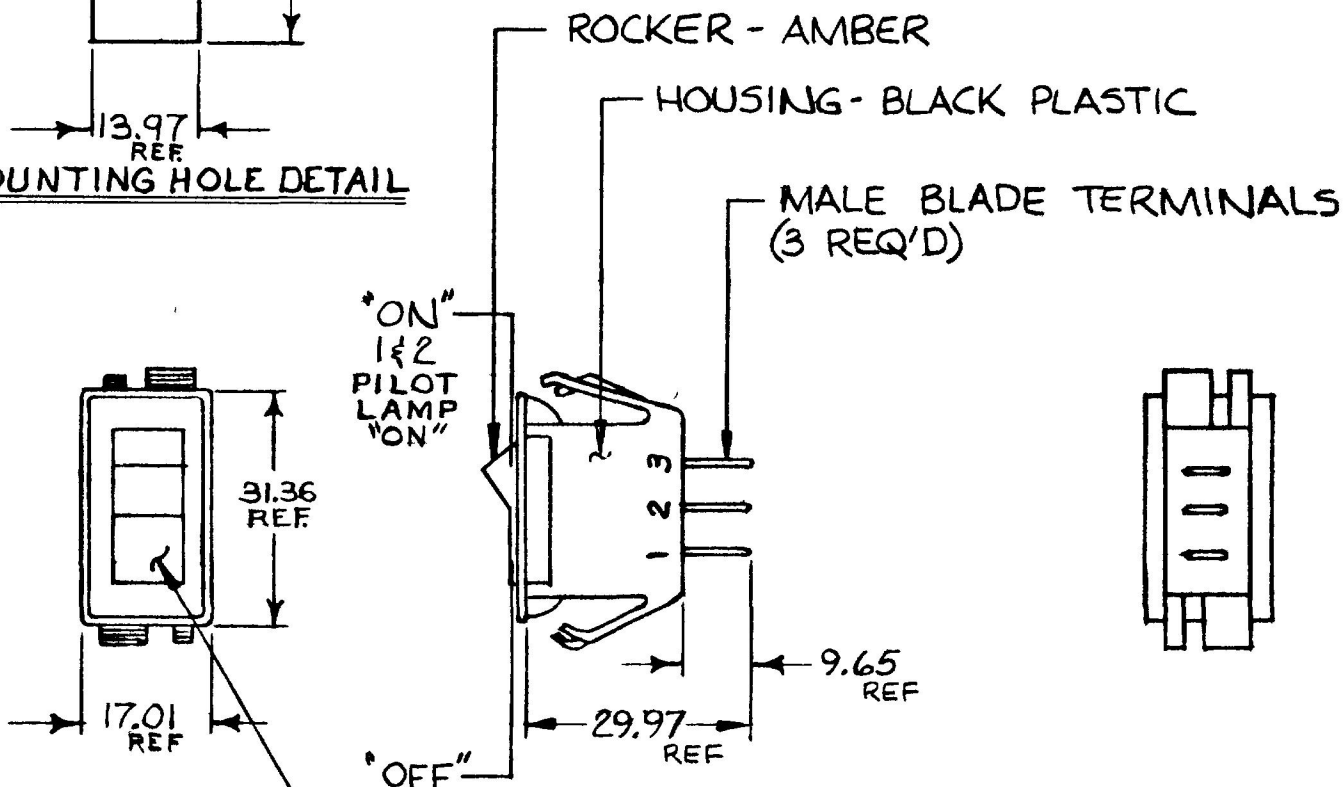
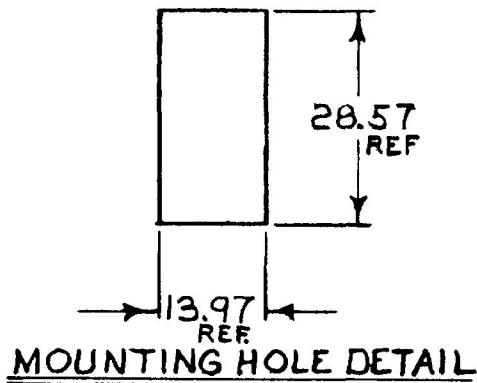


54003-01

MM	IN
.50	.020
6.35	.250
9.65	.380
13.97	.550
17.01	.670
28.57	1.125
29.97	1.180
31.36	1.235




AMBER ROCKER ILLUMINATED IN "ON" POSITION

- NOTES:
1. 12 VOLTS @ 10 AMPS LAMP LOAD.
 2. MTG PANEL .50 TO 6.35 THK
 3. PILOT LAMP 1 1/2

METRIC

DO NOT SCALE

LET	WAS	DATE	BY	LET	WAS	DATE	BY	MATERIAL	DRAWN	CHECKED	APPR'D	SCALE	DATE DRAWN
								H	VAK	CS		1=1	5-19-84
								FINISH					DATE BLUEPRINT
								TOLERANCES	 25 OLD COLONY AVENUE SOUTH BOSTON, MA. U.S.A. 02127				
								DECIMAL ±					
					ISSUED	11-15-84	CS	METRIC ±	ROCKER SWITCH				54003-01

CH-188(4-78)