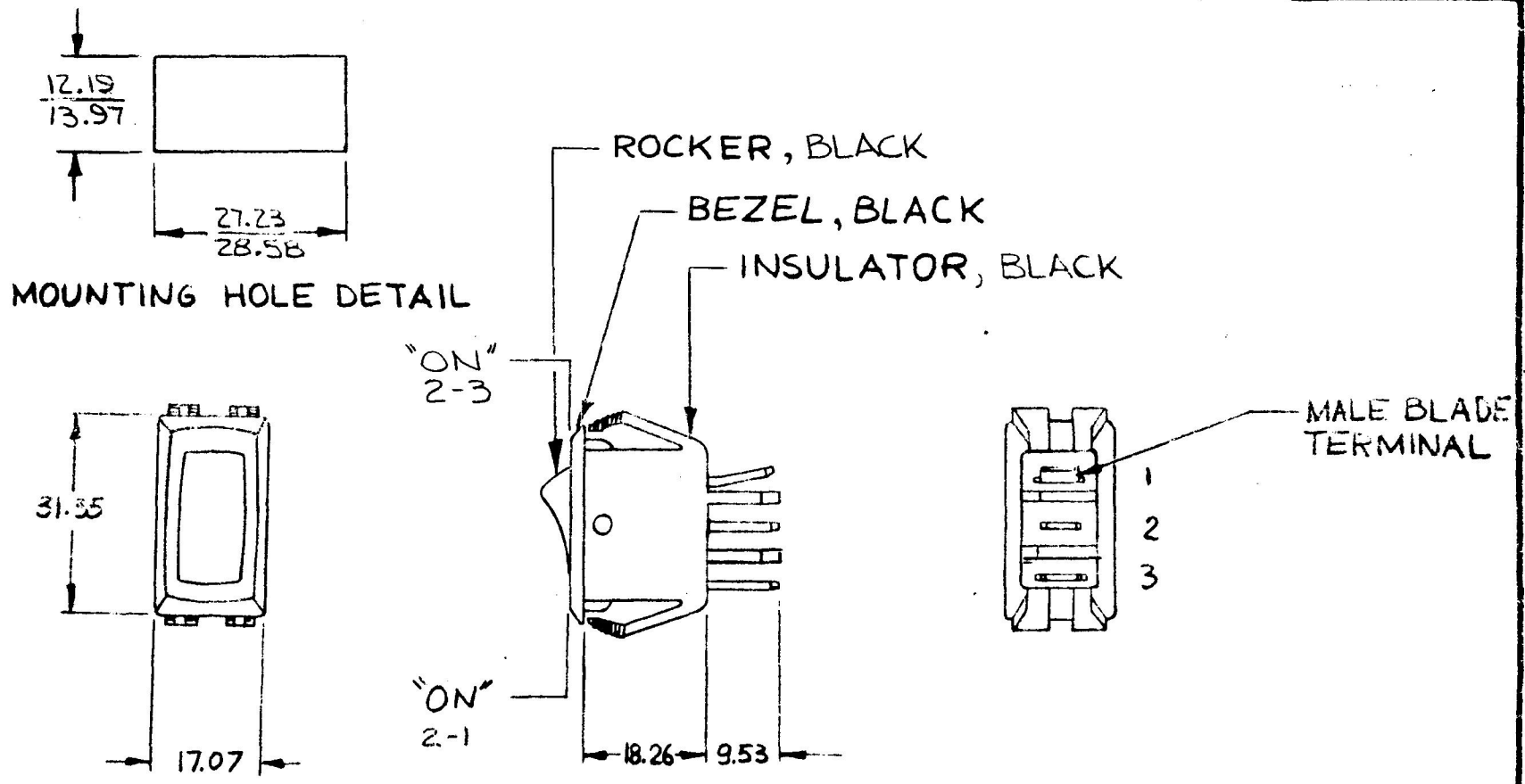


54010

MM	IN
9.14	.358
12.19	.480
15.87	.625
17.07	.672
18.26	.719
27.23	1.072
28.58	1.125
31.35	1.234



METRIC

DO NOT SCALE

LET.	WAS	DATE	BY	LET	WAS	DATE	BY	MATERIAL	DRAWN	CHECKED	APPR'D.	SCALE	DATE DRAWN
								—	LIZ	<i>[Signature]</i>		1:1	9-19-88
								FINISH	 <b>Cole Hersee Co.</b> <small>30 OLD COLONY AVENUE SOUTH BOSTON, MA U.S.A. 02127</small>				DATE BLUEPRINT
								TOLERANCES					
								DECIMAL ±	SWITCH, ROCKER, SPDT				54010
								METRIC ±					

CH-1894-78)

ISSUED 10-5-88 AF