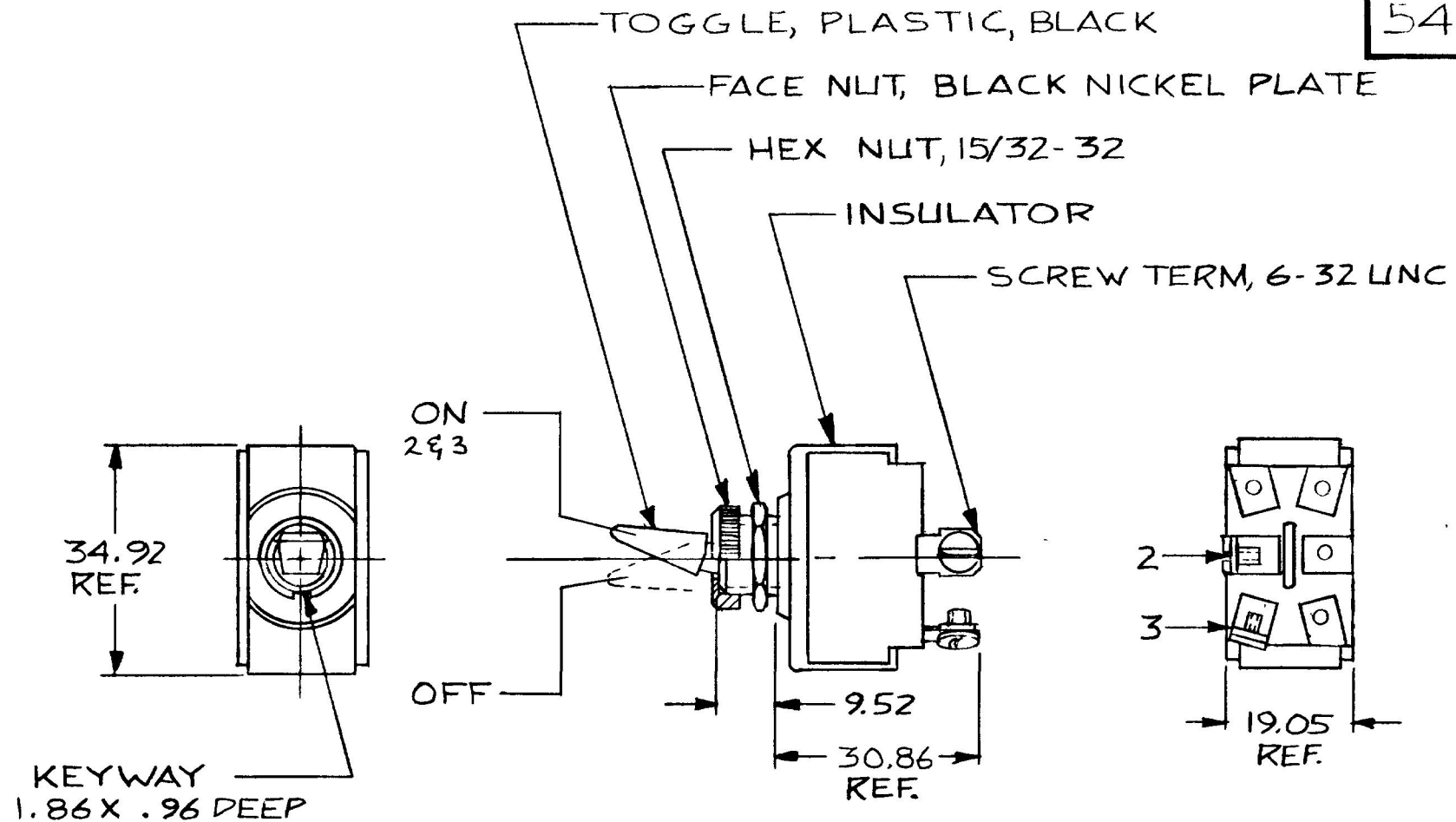


MM IN  
 .96 .038  
 1.82 .072  
 9.52 .375  
 19.05 .750  
 30.86 1.215  
 34.92 1.375


54100



NOTES  
 1. SILVER CONTACTS  
 2. RATING: 25AMPS @12V. DC.  
 LAMP LOAD

METRIC

DO NOT SCALE

LET	WAS	DATE	BY	LET	WAS	DATE	BY	MATERIAL	DRAWN	CHECKED	APPR'D	SCALE	DATE DRAWN
								—H—	DPS	RJA		1:1	10-5-81
								FINISH	 Cole Hersee Co. <small>20 OLD COLONY AVENUE SOUTH BOSTON MA U.S.A. 02127</small>				DATE BLUEPRINT
								TOLERANCES					
								DECIMAL ±.010	S.P.S.T. TOGGLE SW.				54100
								METRIC ±.25					

CH-188(4-78)