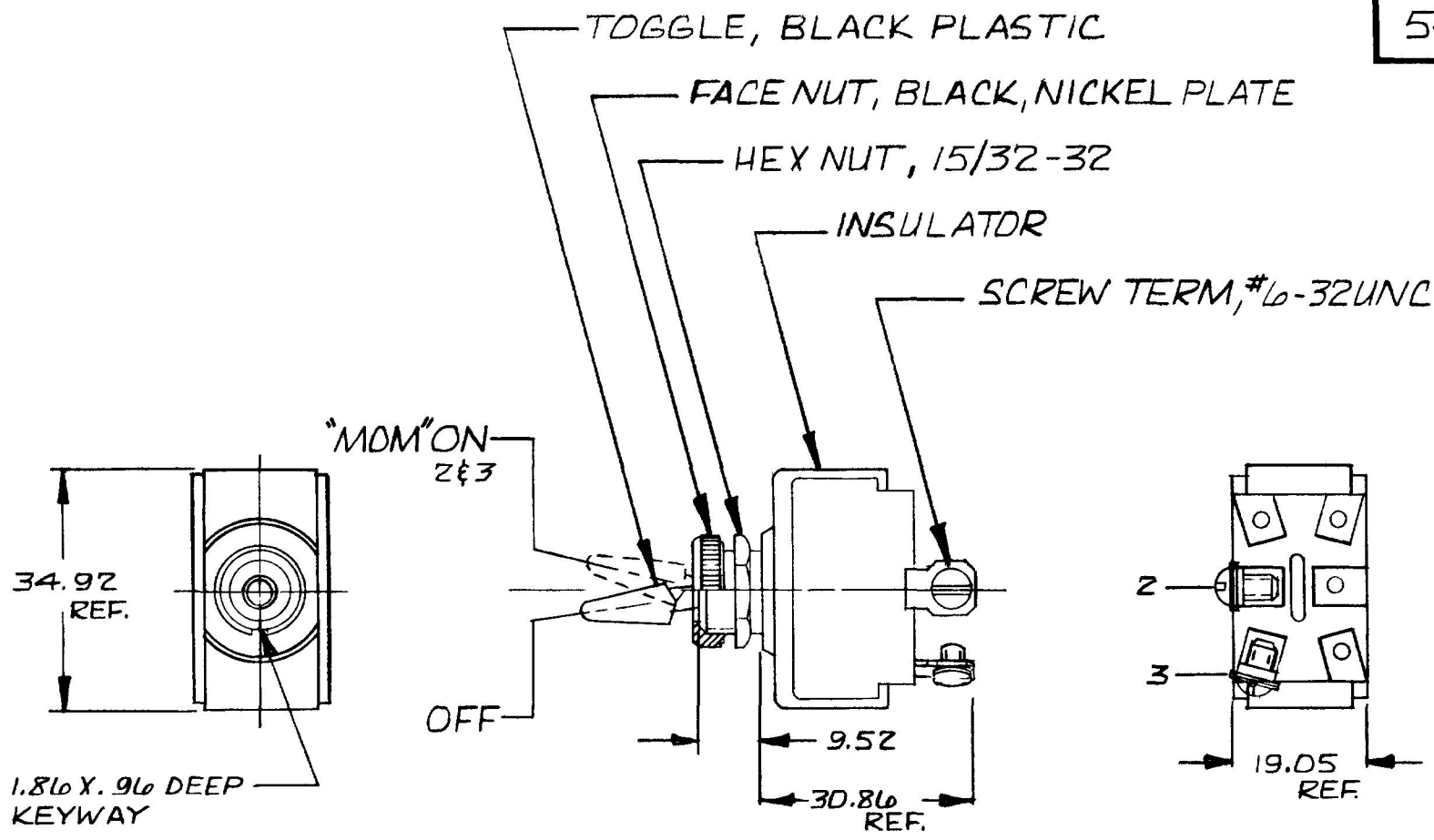


	.010
.96	.038
1.82	.072
9.52	.375
19.05	.750
30.86	1.215
34.92	1.375


54101



- NOTES:
1. SILVER CONTACTS
 2. RATING 25AMP @ 12V DC LAMP LOAD

METRIC

DO NOT SCALE

LET	WAS	DATE	BY	LET	WAS	DATE	BY	MATERIAL	DRAWN	CHECKED	APPRV D	SCALE	DATE DRAWN
								— # —	Ⓡ	RJA		1:1	11-3-81
								FINISH	 Cole Hersee Co. <small>20 OLD COLONY AVENUE SOUTH BOSTON MA U.S.A 02127</small>				DATE BLUEPRINT
								— # —					
								TOLERANCES	S.P.S.T. TOGGLE SWITCH				54101
								DECIMAL ±					
								METRIC ± .25					

CH-188(4-78)