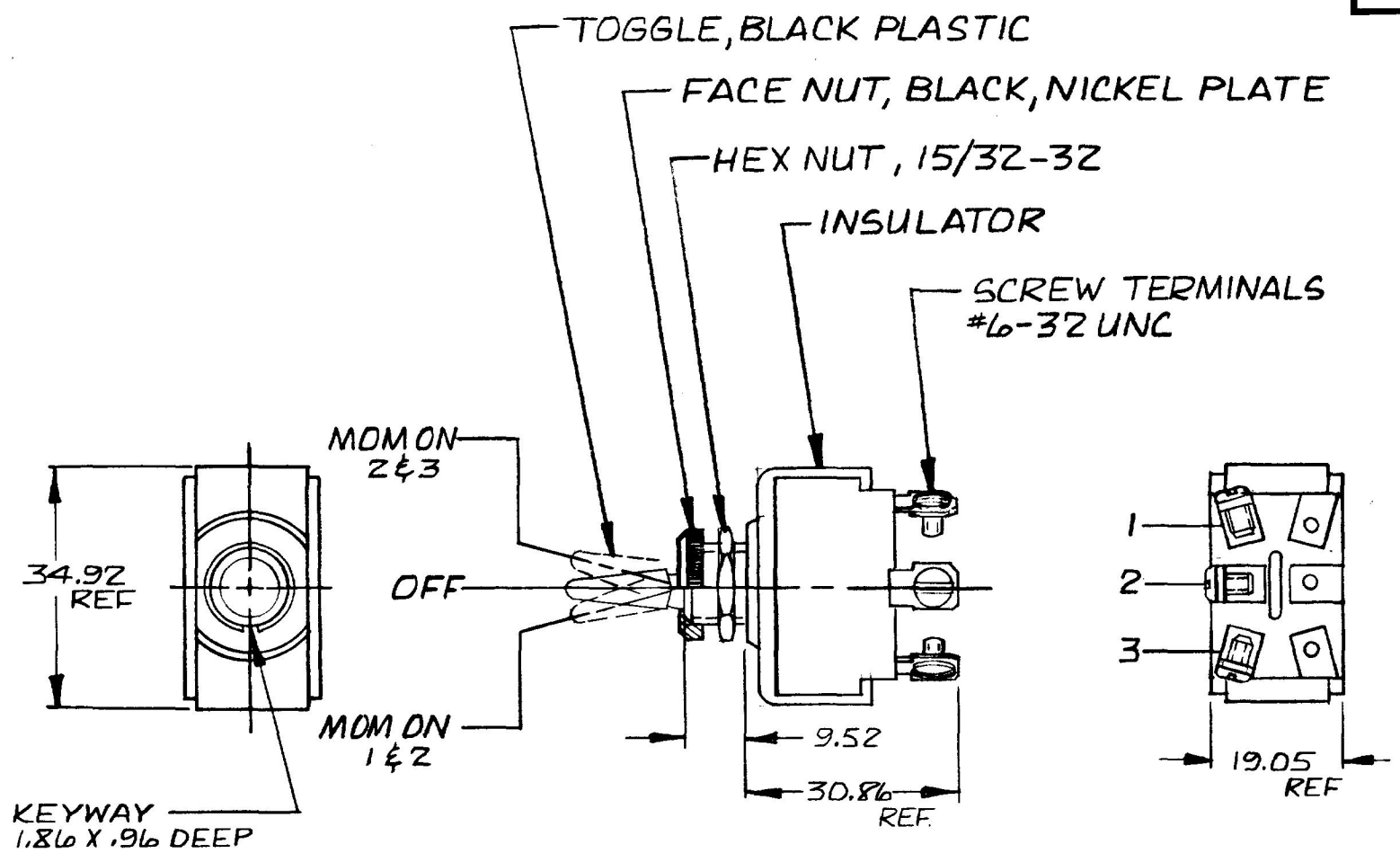


54104


MM	IN
.25	.010
.96	.038
1.82	.072
9.52	.375
19.05	.750
30.86	1.215
34.92	1.375



- NOTES:
1. SILVER CONTACTS
 2. RATING: 25 AMPS @ 12V DC LAMP LOAD

METRIC

DO NOT SCALE

LET.	WAS	DATE	BY	LET	WAS	DATE	BY	MATERIAL	DRAWN	CHECKED	APPRV'D.	SCALE	DATE DRAWN
								#	B	RJ		1:1	11-5-81
								FINISH	 20 OLD COLONY AVENUE SOUTH BOSTON, MA. U.S.A. 02127				DATE BLUEPRINT
								TOLERANCES					S.P.-D.T. MOM TOGGLE SW
					ISSUED	11-6-81	RH	DECIMAL ±					
								METRIC ±.25					

CH-188(4-78)