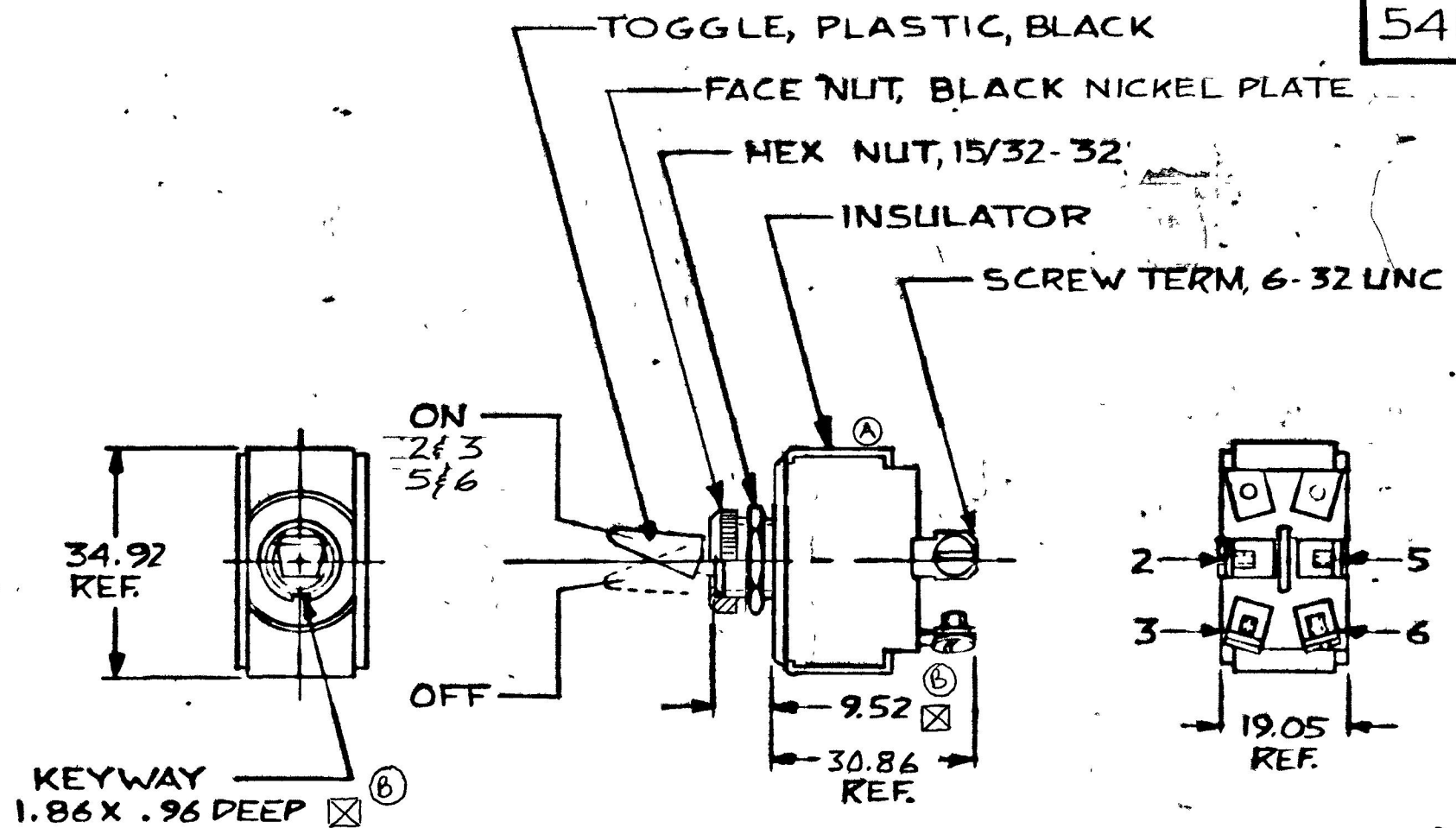


MM	IN
.96	.038
1.82	.072
9.52	.375
19.05	.750
30.86	1.215
34.92	1.375

54105



NOTES
 1. SILVER CONTACTS
 2. RATING: 25AMPS @12V. DC LAMP LOAD

METRIC

DO NOT SCALE

LET	WAS	DATE	BY	LET	WAS	DATE	BY	MATERIAL	DRAWN	CHECKED	APPRV D	SCALE	DATE DRAWN
								—H—	DPS	RJT		1:1	10-5-81
								FINISH	 Cole Hersee Co. <small>21 OLD COLONY AVENUE SOUTH BOSTON MA U.S.A. 02127</small>				DATE BLUEPRINT
				B	ADD SYMBOL	2/25/92	AF	—H—					
				A	REVISE VIEW / 23007	3/14/86	YAK	TOLERANCES	D.P.S.T. TOGGLE SW.				54105
					ISSUED	11-2-81	RJT	DECIMAL ±.010 METRIC ±.25					

EN 18814-781