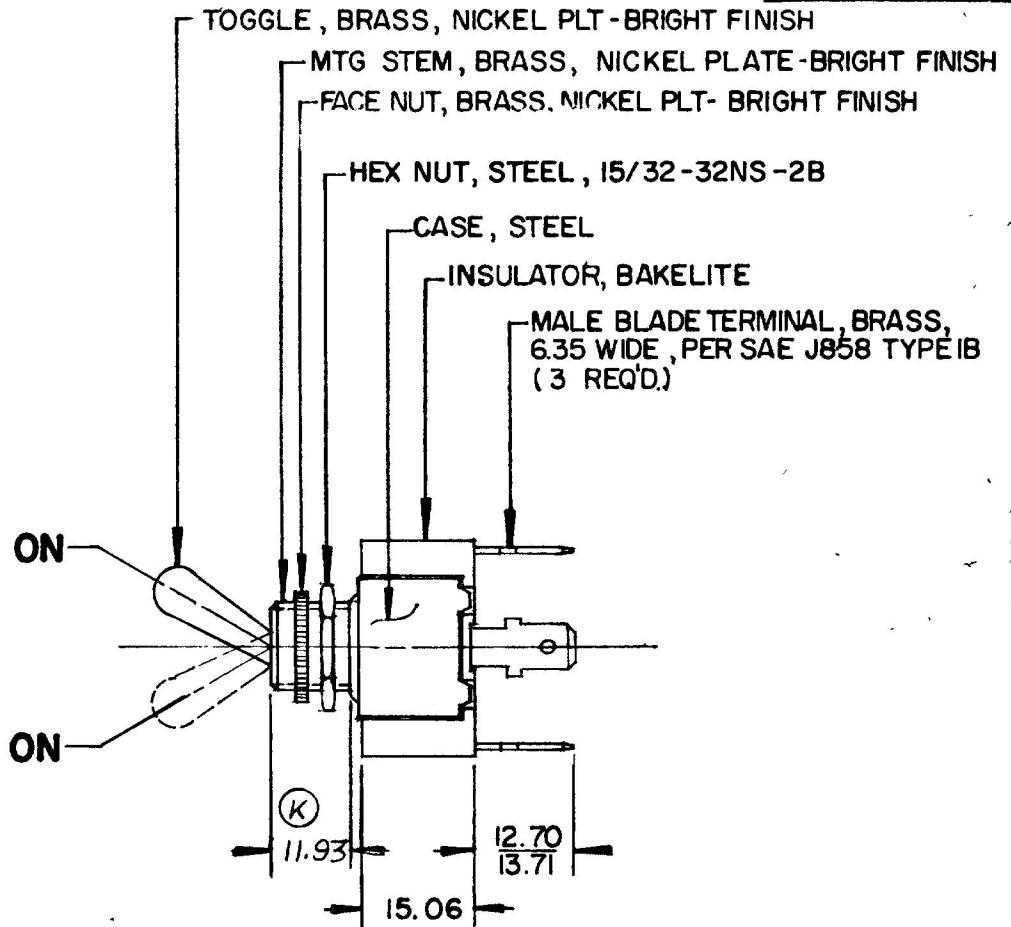
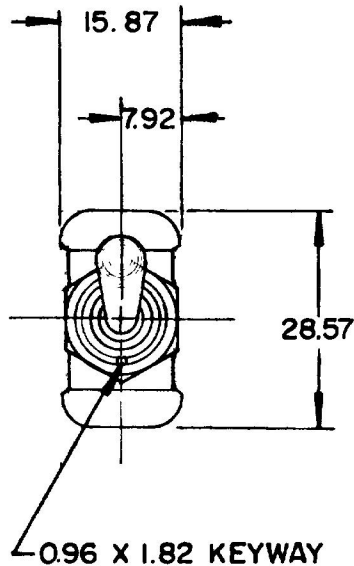


55015

RATING:

10 AMPS @ 250 V. A. C.
 15 AMPS @ 125 V. A. C.
 25 AMPS @ 12 V. D. C.



NOTE

1. ALL STEEL PARTS EITHER ZINC PLATE WITH DICHROMATE DIP OR CADMIUM PLATE
- ① 2. SILVER CONTACT SURFACES

METRIC

DO NOT SCALE

| LET | WAS | DATE | BY | LET | WAS | DATE | BY | MATERIAL | DRAWN | CHECKED | APPRV'D | SCALE | DATE DRAWN |
|-----|-----|------|----|-----|------------------|---------|----|----------------------------|--|---------|---------|-------|---------------------|
| | | | | | | | | # | PLB | 5-3-79 | | 1:1 | 9 - 6 - 56 |
| | | | | L | ADD NOTE / 25432 | 7/15/93 | JH | FINISH | Cole Hersee Co. <small>20 OLD COLONY AVENUE SOUTH BOSTON MA U.S.A 02127</small> | | | | DATE BLUEPRINT |
| | | | | K | .531/21279 | 1-21-81 | CB | TOLERANCES | | | | | SP-DT TOGGLE SWITCH |
| | | | | J | REDRAWN | 5-2-79 | JV | DECIMAL ± METRIC ± 0.25 | | | | | |

CH-188(4-78)