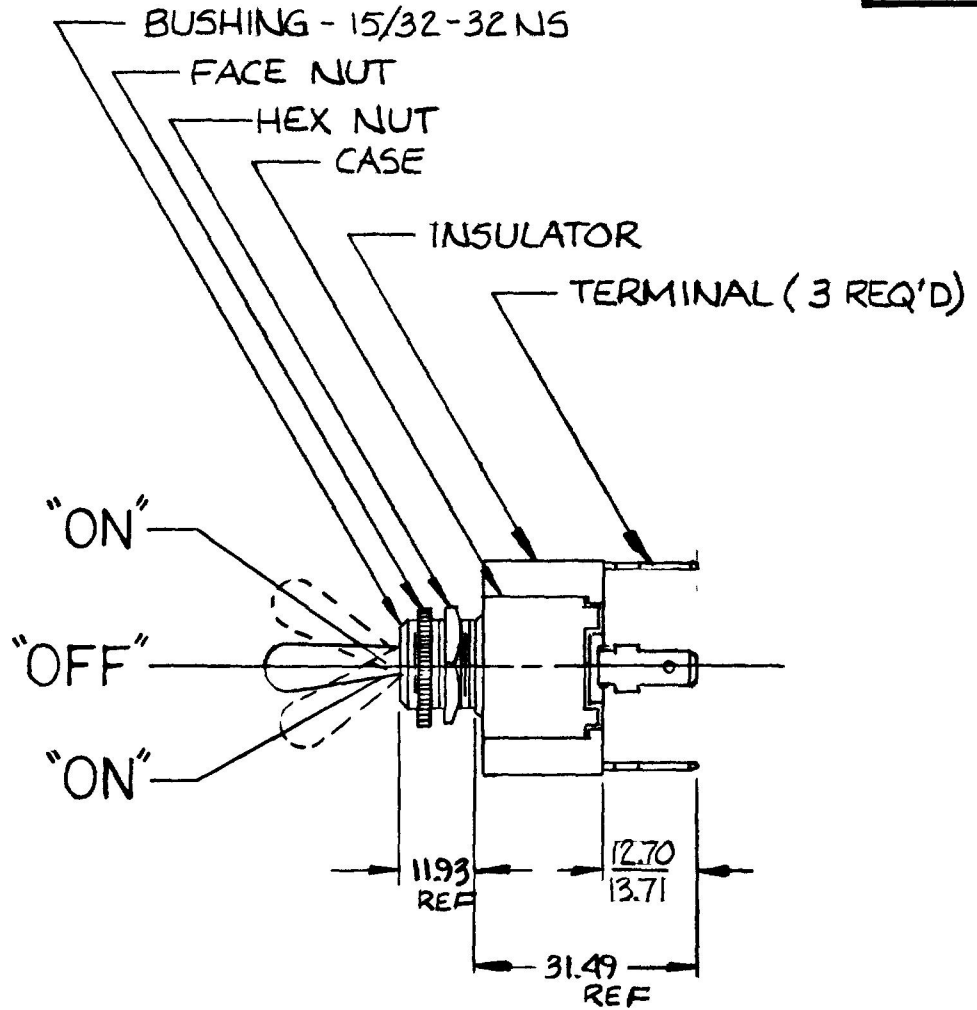
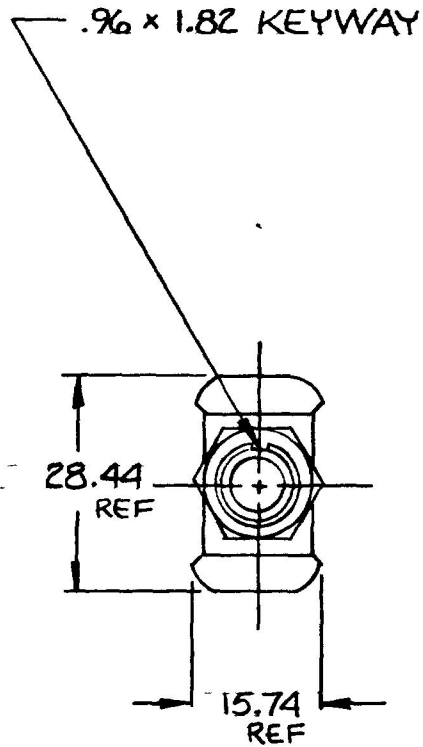


55016-06

MM	IN
.96	.038
1.82	.072
12.70	.500
13.71	.540
15.74	.620
28.44	1.120
31.49	1.240
11.93	.470



- NOTES:
- 1.0" RING SEAL IN BUSHING.
 - SILVER CONTACTS.
 - 3.25 AMPS @ 12 VDC LAMP LOAD.

METRIC

DO NOT SCALE

LET	WAS	DATE	BY	LET	WAS	DATE	BY	MATERIAL	DRAWN	CHECKED	APPRV D	SCALE	DATE DRAWN
								//	WAB	RAJ		1X	8-31-84
								FINISH	 20 OLD COLONY AVENUE SOUTH BOSTON MA U.S.A. 02127				DATE BLUEPRINT
								//					
								TOLERANCES	TOGGLE SWITCH				55016-06
								DECIMAL ±					
								METRIC ±					

CH-188(4-78)