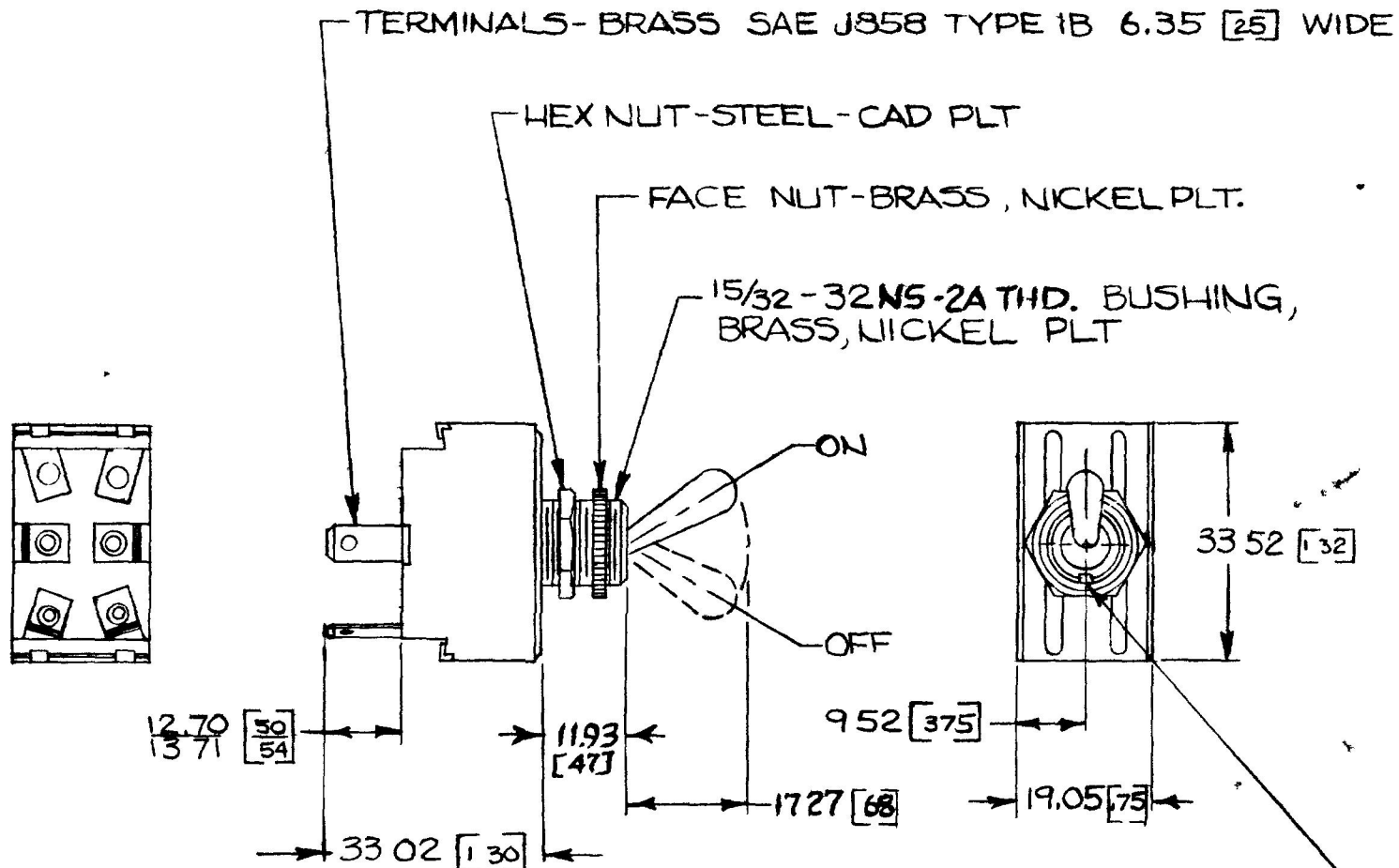


COLE-HERSEE CO. NPM 11-10-75

EX-17265

55017-02



DIMENSIONS MILLIMETERS [INCHES]

1.82 [0.72] X .96 [.038] DEEP KEYWAY

NOTE  
 1" O RING SEALED (NEOPRENE)  
 (A) 2 SILVER CONTACT SURFACES

25 AMPS @ 12 V DC

DO NOT SCALE

| LET | WAS | DATE | BY | LET | WAS            | DATE    | BY  | MATERIAL       | DRAWN  | CHECKED | APPRV D | SCALE | BASIC, EXCEPT | DATE DRAWN     |
|-----|-----|------|----|-----|----------------|---------|-----|----------------|--|---------|---------|-------|---------------|----------------|
|     |     |      |    |     |                |         |     | <del>11</del>  | JWH  | TJ      |         | 1=1   | O-RING SEALED | 10-16-75       |
|     |     |      |    |     |                |         |     | FINISH         | <b>COLE-HERSEE COMPANY</b><br>BOSTON, MASS 02127, U.S.A. |         |         |       |               | DATE BLUEPRINT |
|     |     |      |    |     |                |         |     | <del>11</del>  |  |         |         |       |               |                |
|     |     |      |    | A   | ADD NOTE/25432 | 1/15/93 | TJH | TOLERANCES     | DPST, "OFF-ON"<br>TOGGLE SWITCH                          |         |         |       |               | 55017-02       |
|     |     |      |    |     | ISSUED         | 11/8/75 |     | FRACTIONAL ±   |  |         |         |       |               |                |
|     |     |      |    |     |                |         |     | DECIMAL ± 0.10 |  |         |         |       |               |                |