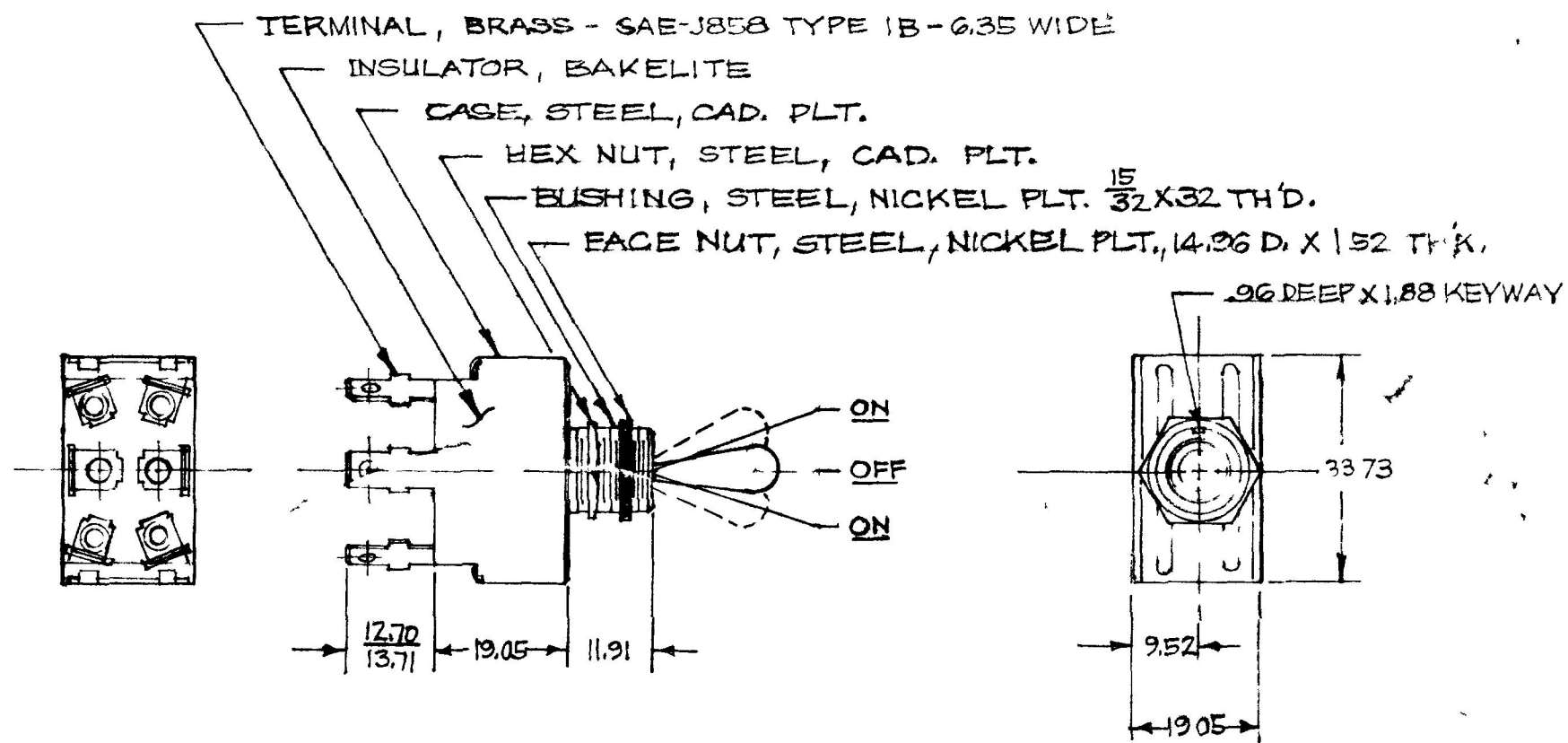


55019

COLE-HERSEE CO.

110
0.5
.380
.050
.072
.050
.375
.425
.500
.540
.630
.750
.875



NOTE
 (B) SILVER CONTACT SURFACES

METRIC

25 AMPS @ 12V DC

DO NOT SCALE

LET	WAS	DATE	BY	LET	WAS	DATE	BY	MATERIAL NOTED	DRAWN	CHECKED	APPRV D	SCALE	DATE DRAWN
								FINISH	GS	TJ		FULL	8-21-56
									COLE-HERSEE COMPANY BOSTON, MASS 02127, USA				DATE BLUEPRINT
				B	ADD NOTE/25432	9/14/93	JH	TOLERANCES FRACTIONAL ±	D.P.D. ... TOGGLE SWITCH				55019
				A	RE-DEF A.W.I. IN METRIC	6-6-77	JK	DECIMAL ± .25					

SPAULDING CO INC 21 5353