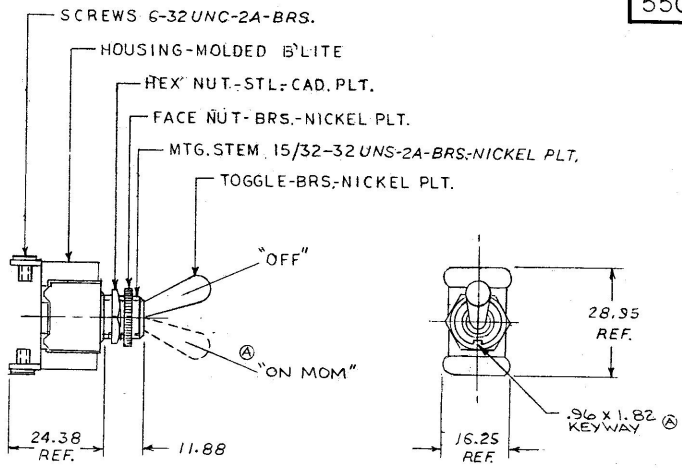


1/32 IN  
 0.25 .010  
 0.96 .038  
 1.82 .072  
 11.88 .468  
 16.25 .640  
 17.44 .687  
 24.38 .960  
 28.95 1.140

55020-02

METRIC



- NOTE:
- 1) NEOPRENE O-RING SEAL AT MTG STEM
  - 2) ALL STEEL PARTS EITHER ZINC PLT. DICHROMATE DIP OR CAD. PLT.
  - 3) SILVER CONTACT SURFACES

Confidential Property of Cole Hersee

DO NOT SCALE

ET	WAS	DATE	BY	LET	WAS	DATE	BY	MATERIAL	DRAWN	CHECKED	APPRVD.	SCALE	BASIC WITH O-RING SEAL	DATE DRAWN
								—	EA	9/24/76		1=		9-22-76
								FINISH	<b>COLE-HERSEE COMPANY</b> BOSTON, MASS. 02127, U.S.A.					DATE BLUEPRINT
								TOLERANCES FRACTIONAL ± DECIMAL ±0.25						TOGGLE SW.
				B	ADD NOTE 05432	9/15/73	JH							
				A	ECN 23559	6-30-87	MZ							
					ISSUED	7-25-88	AF							

COLE-HERSEE CO.  
NPM