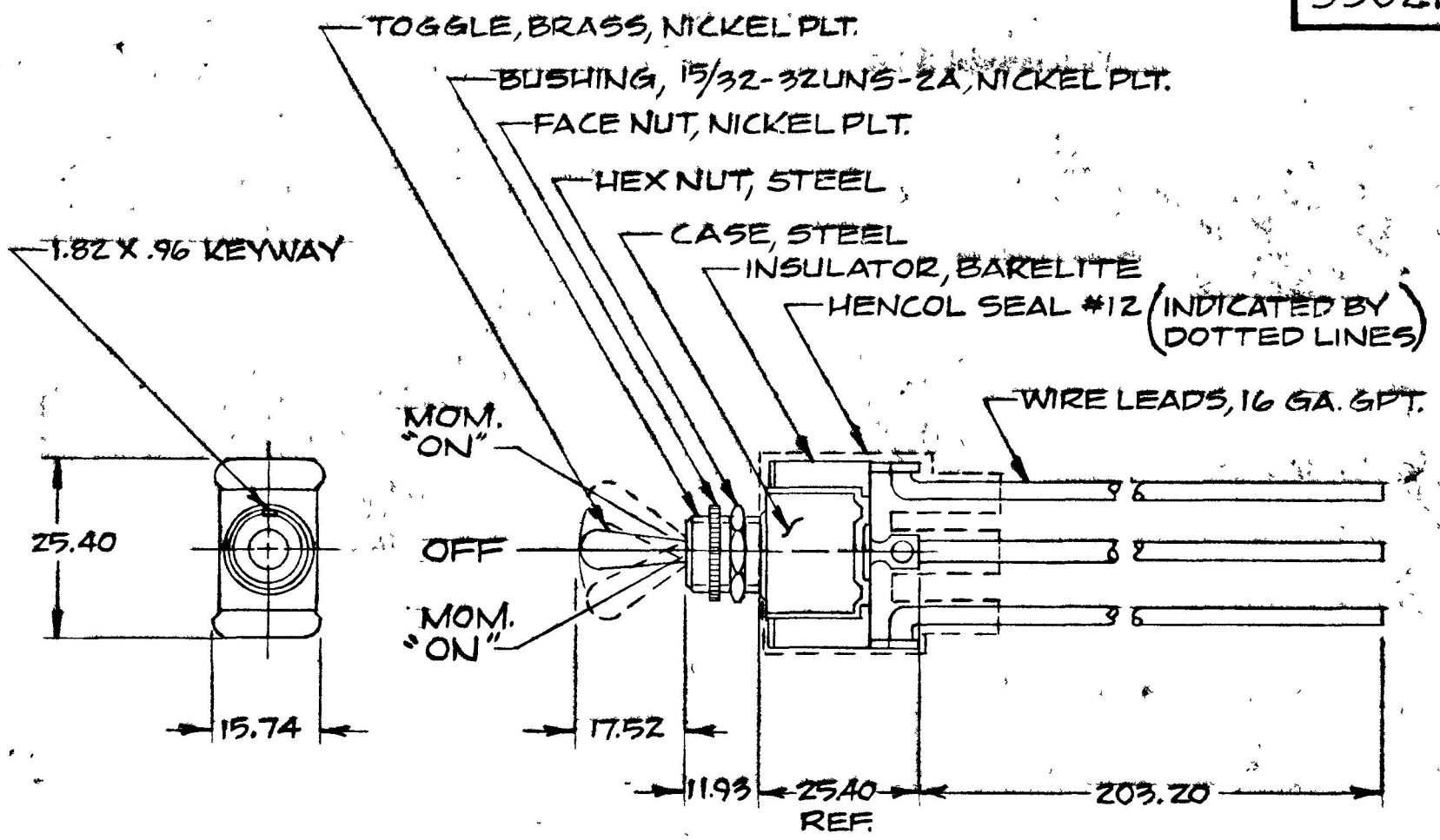


55021-07

MM.	IN
25	.010
46	.038
82	.072
119	.470
1574	.620
1752	.690
2540	1.000
3344	1.120
3320	0.000

COLE-HERSEE CO.  
NFM 3-30-77  
EX-17874  
731-6



NOTES:  
1. O-RING SEAL IN BUSHING  
2. ALL STEEL PARTS EITHER ZINC PLT. DICHROMATE DIP OR CAD. PLT.

METRIC

DO NOT SCALE

LET	WAS	DATE	BY	LET	WAS	DATE	BY	MATERIAL	DRAWN	CHECKED	APPR'D	SCALE	BASIC -06 W/3 LEADS, PVC COATED, FACE NUT & HEX NUT ASSEMBLED.	DATE DRAWN
								#	KG	17		1:1		3-17-77
								FINISH	COLE-HERSEE COMPANY					DATE BLUEPRINT
								TOLERANCES	BOSTON, MASS 02127, U.S.A.					
								FRACTIONAL ±	S.P.D.T. TOGGLE SW.					55021-07
								DECIMAL ±.25						