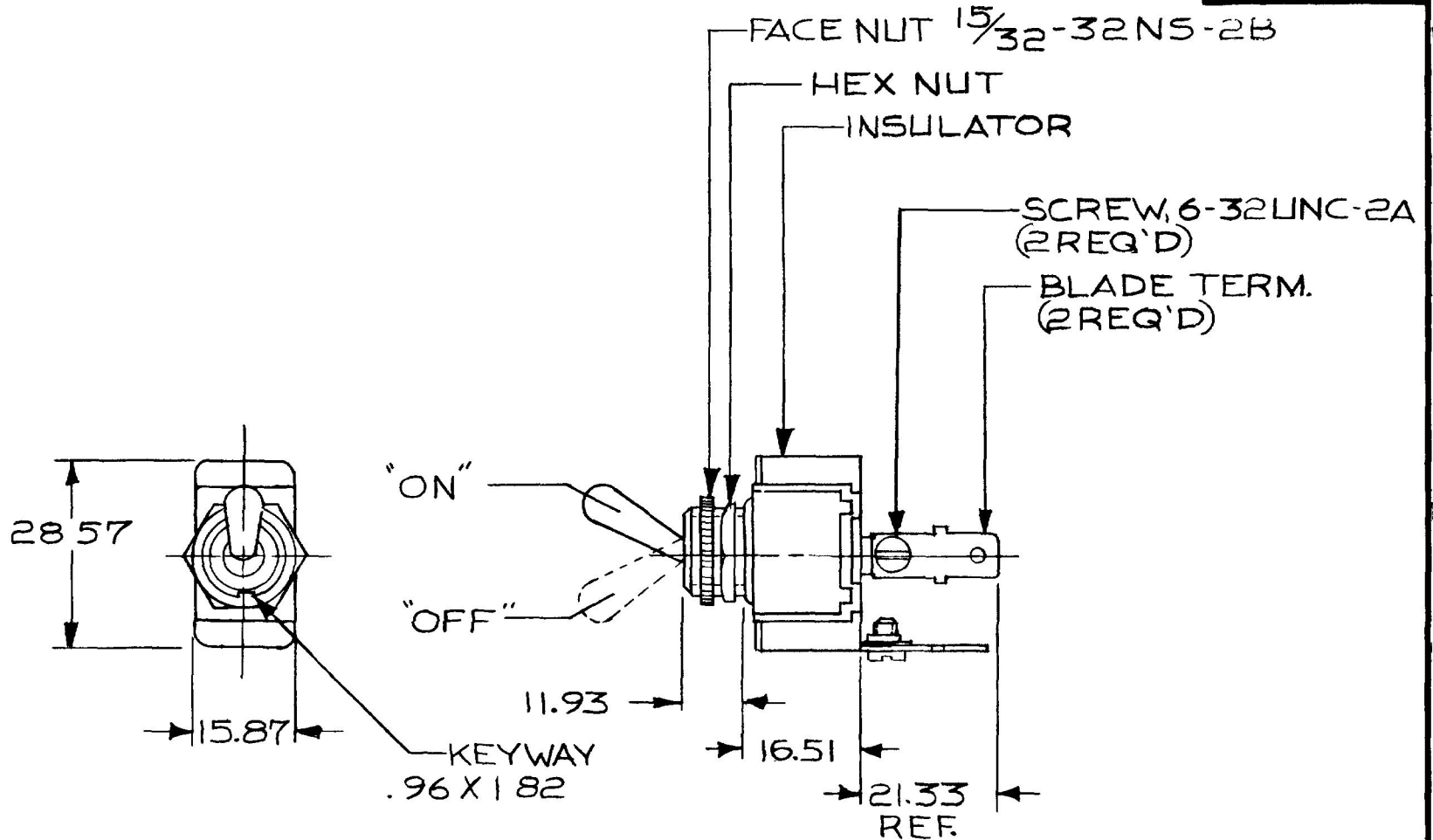


MM IN
 .25 .010
 .96 0.38
 1.82 0.72
 11.93 4.70
 16.51 6.50
 15.87 6.25
 21.33 8.40
 28.57 1.125


55023



METRIC

NOTE:
 RATING: 15AMP @ 12V

DO NOT SCALE

LET	WAS	DATE	BY	LET	WAS	DATE	BY	MATERIAL	DRAWN	CHECKED	APPRV'D	SCALE	DATE DRAWN
								//	MM	8-27-80		1:1	5-28-59
								FINISH	 Cole Hersee Co. <small>20 OLD COLONY AVENUE SOUTH BOSTON MA U.S.A. 02127</small>				DATE BLUEPRINT
								//					
								TOLERANCES	S.P.S.T. TOGGLE SW				55023
								DECIMAL ±					
								METRIC ± .25					
					C REDRAWN	8/27/80	UTS						

CH-188(4-78)