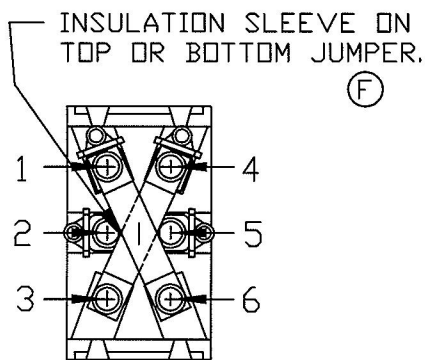
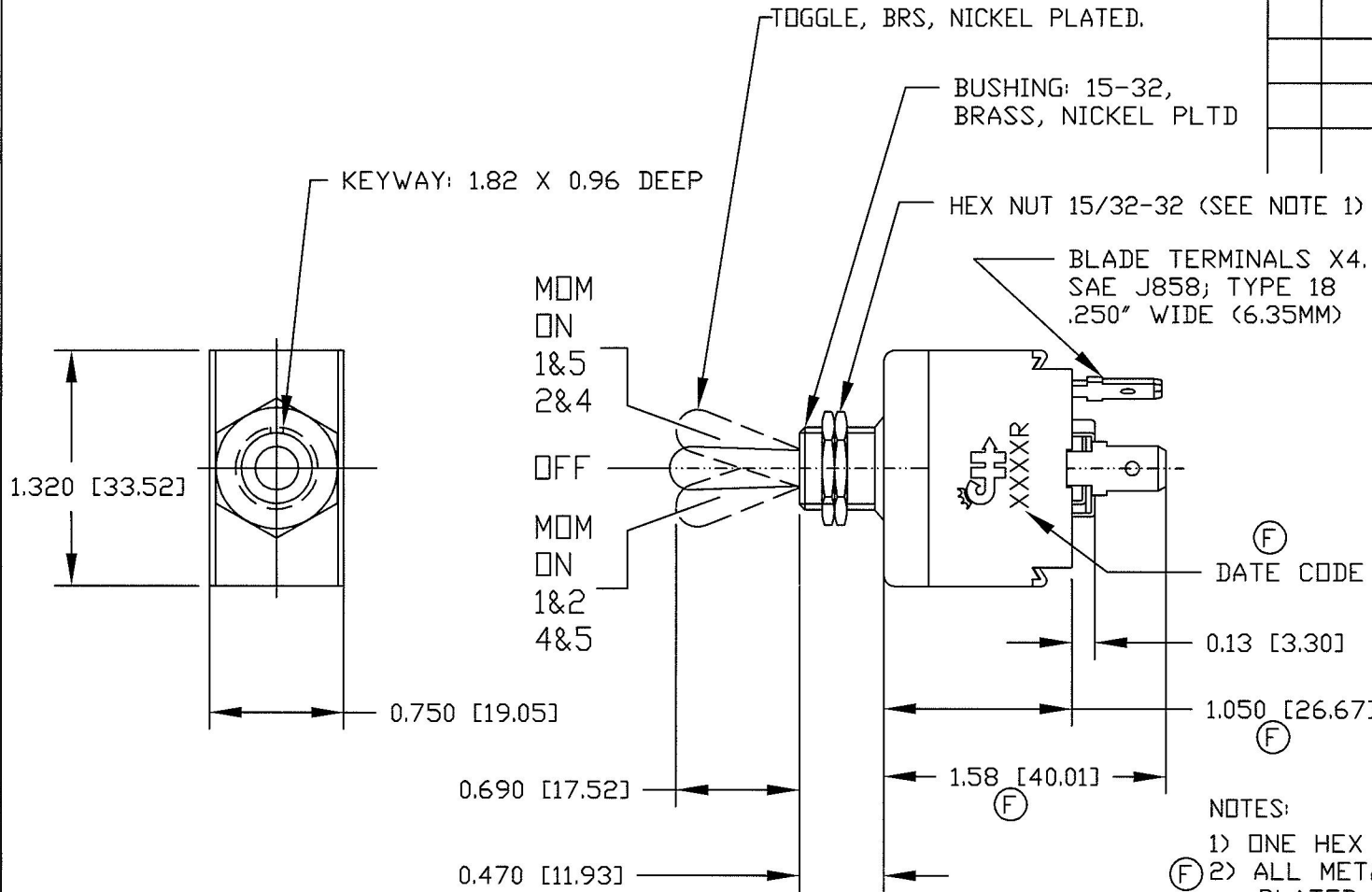


Revision Control Record

Rev.	Description of Change	ECN No.	Date
F	PUT ON CAD	11128	04/20/11



- NOTES:
- 1) ONE HEX NUT TO BE SHIPPED LOOSE
 - 2) ALL METAL PARTS ARE EITHER ZINC PLATED OR NICKEL PLATED.
 - 3) NEOPRENE O-RING SEAL IN BUSHING.
 - 4) ALL DIMENSIONS ARE REFERENCE.

Tolerances Unless otherwise specifically noted, the following are default tolerances;

2-places +/- 0.02"
3-places +/- 0.005"
Angular +/- 1'

Metric: Shown in [] refers to equivalent English Dim Tol

"REF." or an Asterisk (*) = Non-Toleranced Reference Dimension, shown for clarification purposes only.

NOTE: All tolerances are Non-Cumulative.

PROPRIETARY INFORMATION
 This Engineering Drawing, and the information contained herein, is proprietary to Cole Hersee Company and may not be disclosed, re-produced, or in any other way transferred or communicated to any other party without the express written consent of an authorized representative of Cole Hersee Company.

Special Characteristics:

- CC Critical Characteristic, relating to Safety and/or Regulatory Compliance
- X Significant Characteristic relating to Process Control
- KC Control Dimension relating to Form - Fit - Function as defined by Cole Hersee Company and/or the Customer

Cole Hersee Co.
 20 Old Colony Ave., South Boston, MA, 02127
 Phn: 617-268-2100 Web: www.colehersee.com

Description:
SWITCH, TOGGLE . REVERSING