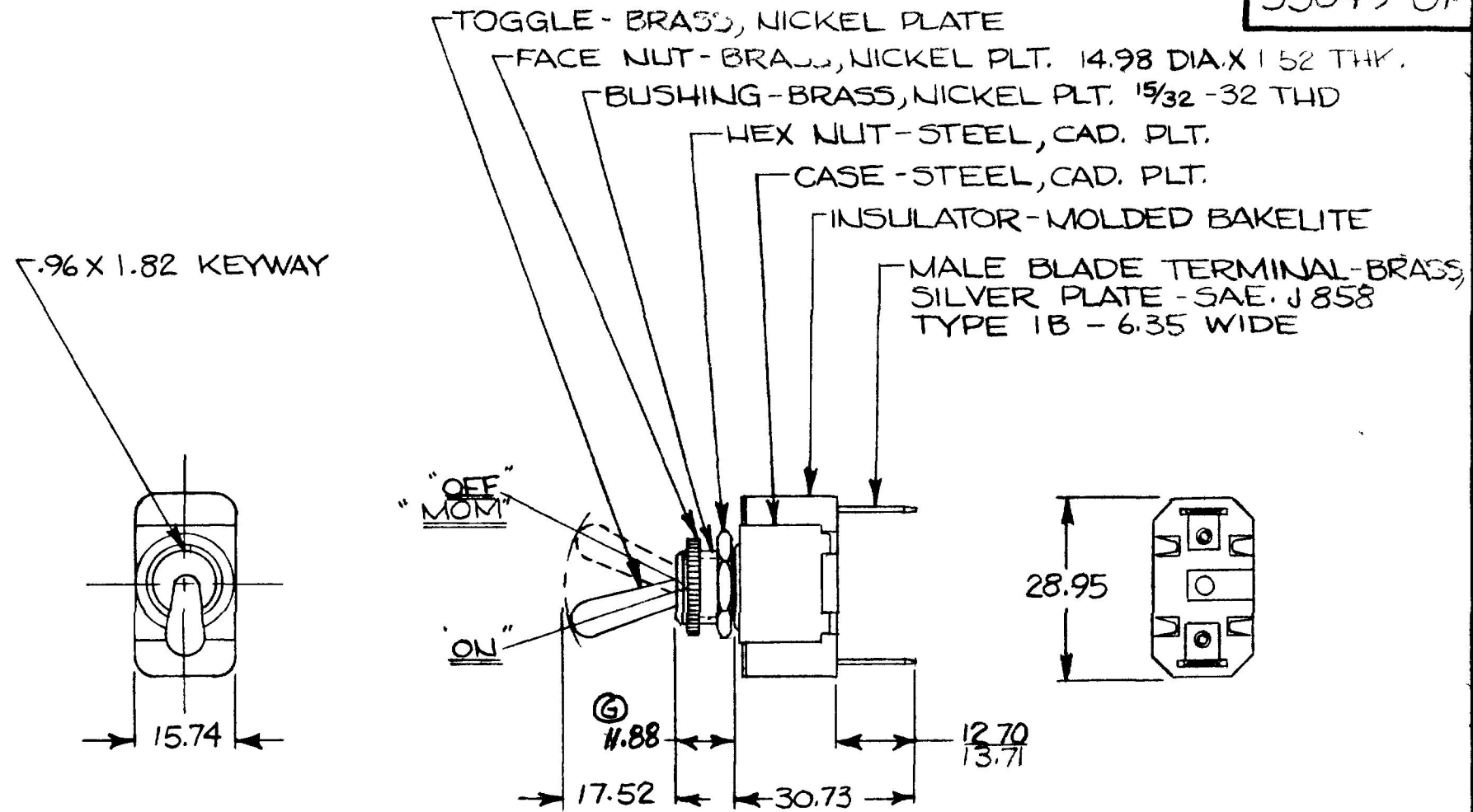


MM IN
 .96 .038
 1.52 .060
 1.82 .072
 6.35 .250
 11.88 .468
 12.70 .500
 15.71 .540
 14.98 .590
 15.74 .620
 17.52 .690
 28.95 1.140
 30.73 1.210

55049-01

COLE-HERSEE CO.

EX 14806



NOTE:
 Ⓞ SILVER CONTACT SURFACES

METRIC

25 AMPS - 12 VOLTS D.C.
EXTRA HEAVY DUTY

DO NOT SCALE

LET	WAS	DATE	BY	LET	WAS	DATE	BY	MATERIAL	DRAWN	CHECKED	APPRV'D	SCALE	55049 WITH SHORTER TOGGLE	DATE DRAWN
								—	MF.			1:1		6-2-67
								FINISH	COLE-HERSEE COMPANY BOSTON, MASS. 02127, U.S.A.					DATE BLUEPRINT
				H	ADD NOTE/25932	9/15/97	TJH	—						
				Ⓞ	ECN 248011	8/5/91	MF	TOLERANCES	SINGLE POLE SINGLE THROW TOGGLE SWITCH					55049-01
				F	REDRAWN	2-9-76	JVH	FRACTIONAL ±						
								DECIMAL ± .015						

SPAULDING CO., INC 21 56481