

COLE-HERSEE CO.

55052-01

TOGGLE-BRASS NICKEL PLT.

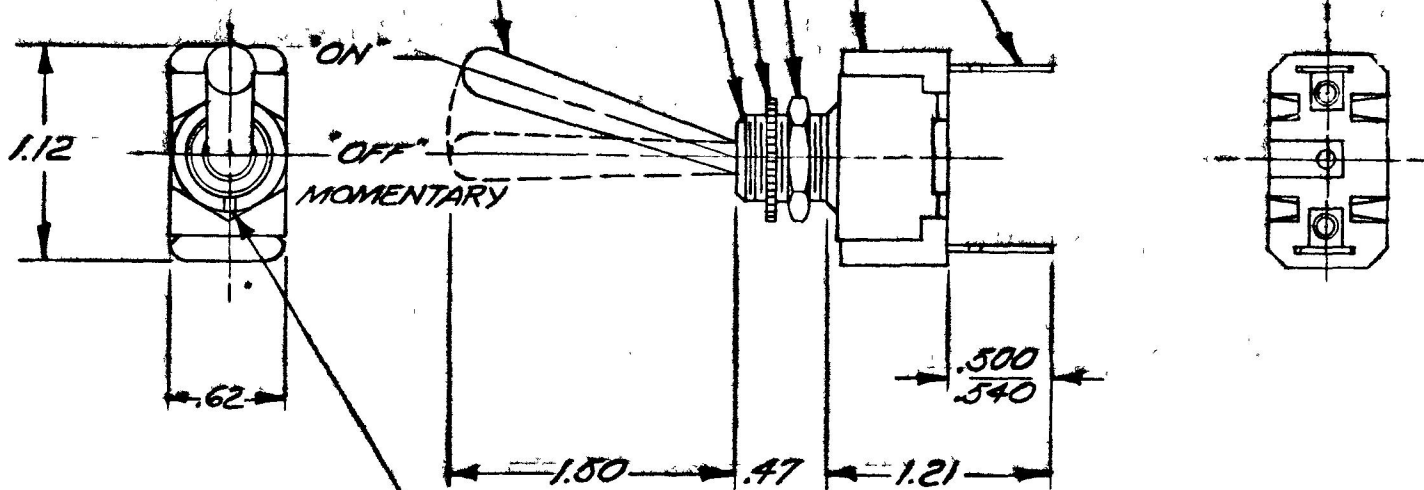
BUSHING-BRASS NICKEL PLT $\frac{15}{32}$ -32 THD

FACE NUT-BRASS NICKEL PLT .59D. X .06 THK.

HEX NUT-STEEL-CAD PLT

INSULATOR-MOLDED BLITE

2 MALE BLADE TERMINALS-BRASS
SAE J858 TYPE 1B-.25 WIDE



.012 X .038 DEEP KEYWAY

NOTES:

- 1 SINGLE POLE MOMENTARY
- Ⓢ 2 SILVER CONTACT SURFACES

(25A-12V)

DO NOT SCALE

LET	WAS	DATE	BY	LET	WAS	DATE	BY	MATERIAL	DRAWN	CHECKED	APPR'D	SCALE	55052 EXCEPT WITH LONGER TOGGLE. Ⓢ	DATE DRAWN
								NOTED	ECW			FULL		9-15-67
								FINISH	COLE-HERSEE COMPANY BOSTON, MASS. 02127, U.S.A.					DATE BLUEPRINT
				F	ADD NOTE/25432	9/15/92	JH	NOTED						
				E	ADDED 18033	3-16-73	LY	TOLERANCES	TOGGLE SWITCH					55052-01
				D	REDRAWN NO CHANGE	12-7-72	JB	FRACTIONAL ± DECIMAL ±.01						

SPAULDING CO., INC 47570