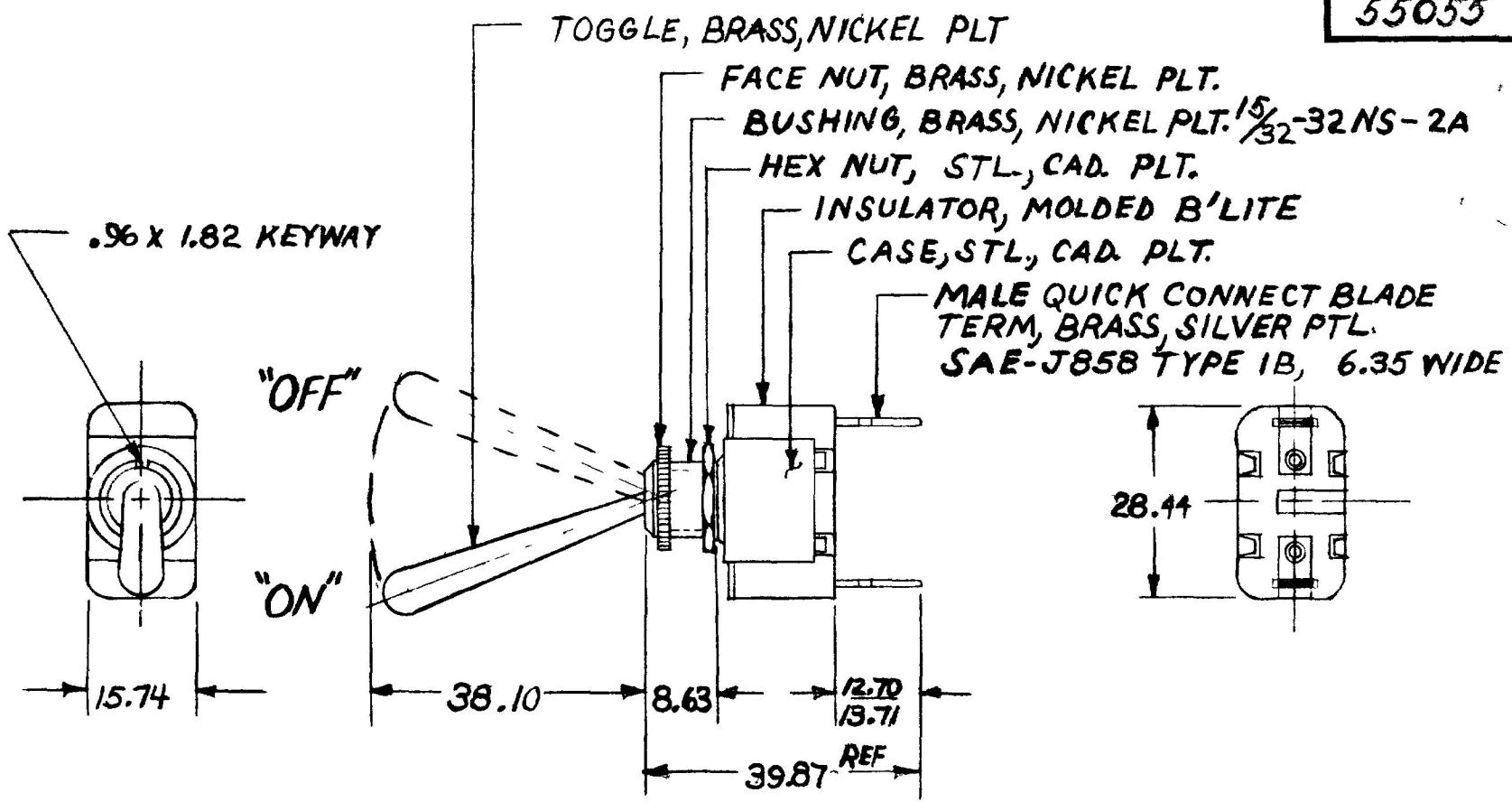


MM IN.
 8.63 .34
 13.20 .52
 38.10 1.50
 39.87 1.57
 28.44 1.12
 15.74 .62

55055

EX-14732



NOTE
 (F) SILVER CONTACT SURFACES

25 AMP, 12 VOLTS D.C.
 EXTRA HEAVY DUTY

METRIC

DO NOT SCALE

| LET | WAS | DATE | BY | LET | WAS | DATE | BY | MATERIAL | DRAWN | CHECKED | APPRV D | SCALE | DATE DRAWN |
|-----|-----|------|----|-----|----------------|--------|-----|------------|---|---------|---------|-------|----------------|
| | | | | | | | | | NB | 3-4-80 | | 1:1 | 5-15-67 |
| | | | | | | | | FINISH | Cole Hersee Co <small>200 DC 0 E SOUT BOS MA US 22</small> | | | | DATE BLUEPRINT |
| | | | | | | | | TOLERANCES | | | | | |
| | | | | F | ADD NOTE/25932 | 9/5/93 | TJH | DECIMAL ± | S.P.-S.T. TOGGLE SW. | | | | 55055 |
| | | | | E | REDRAWN | 1-8-80 | R6 | METRIC ± | | | | | |

CH 188(4 78)