

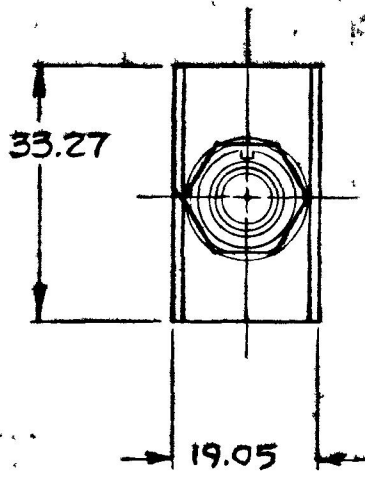
COLE-HERSEE CO.

EX 16621

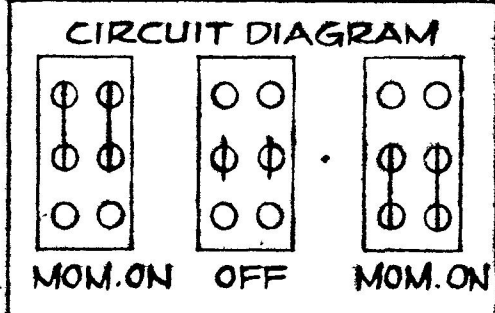
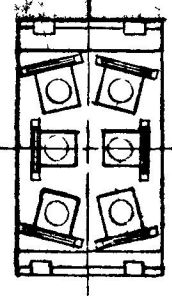
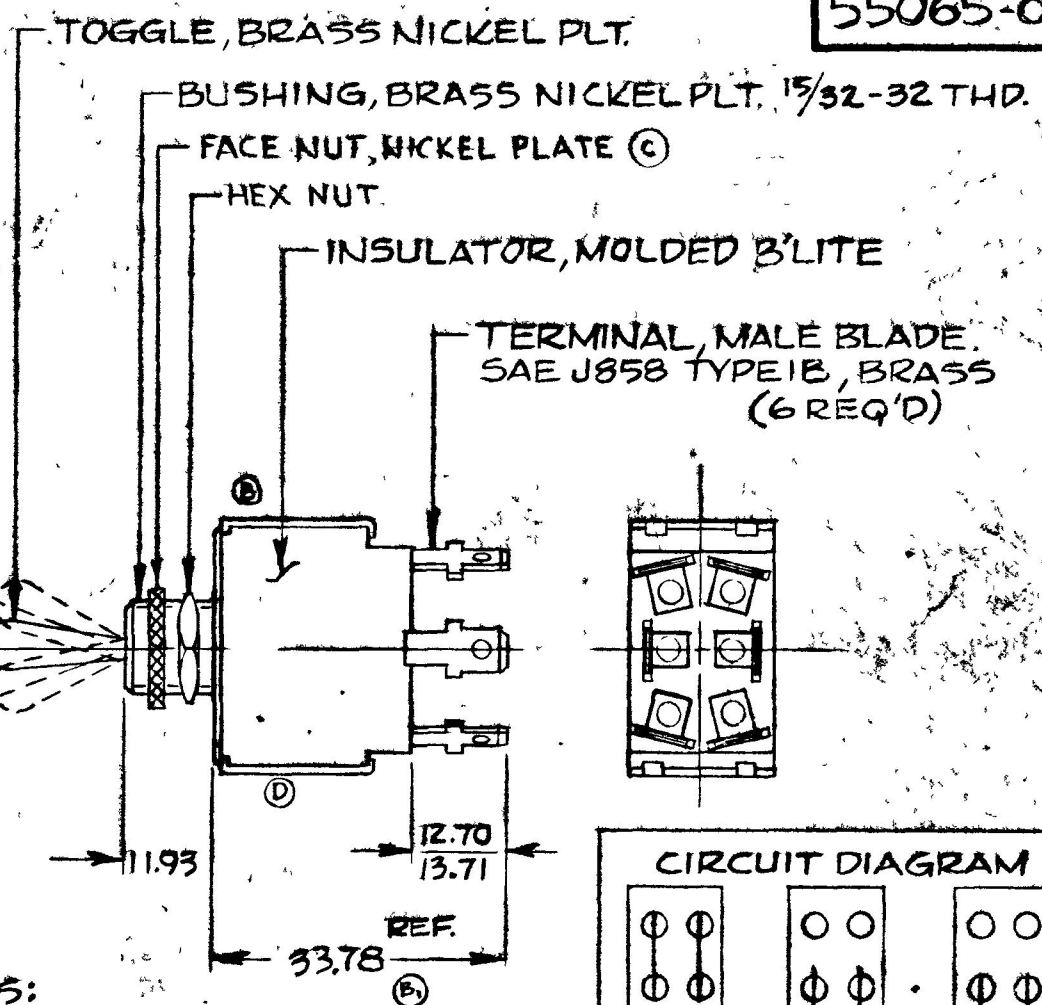
55065-03

VOLTS	RESISTIVE	INDUCTIVE
12 VDC	25 AMPS	15 AMPS
24 VDC	15 AMPS	8 AMPS

1.01	1.010
1.05	1.470
1.20	1.500
1.71	1.540
1.95	1.750
2.27	1.310
2.37	1.550



MOM. ON
OFF
MOM. ON



- NOTES:
- 1) NO. POLES - 2
 - 2) NO. THROWS - 2
 - 3) TYPE SEALING - NONE
 - 4) ALL STEEL PARTS PLATED
 - 5) SILVER CONTACT SURFACES

METRIC

DO NOT SCALE

LET	WAS	DATE	BY	LET	WAS	DATE	BY	MATERIAL	DRAWN	CHECKED	APPR'D	SCALE	BASIC, WITH SHORT TOGGLE.	DATE DRAWN
				C	ADD FACE FINISH 22957	1-24-80	RJF	#	RJF	9-8-76		1:1		8-27-76
				B ₁	WAS 39.37 REF			FINISH	COLE-HERSEE COMPANY BOSTON, MASS. 02127, U.S.A.				DATE BLUEPRINT	
				B	CHANGE CASE / 22791	6-17-85	AK	#						
E	ADD NOTE / 25432	9/15/93	TJH		ISSUED	9-8-76	Y	TOLERANCES FRACTIONAL ±	MOMENTARY D.P.D.T. TOGGLE SWITCH				55065-03	
R	REVISE VIEW / 23007	3/14/86	AK	A	REDRAWN NO CHANGE	9-7-76	KG	DECIMAL ±.25						

SPAULDING CO., INC. 21-56481