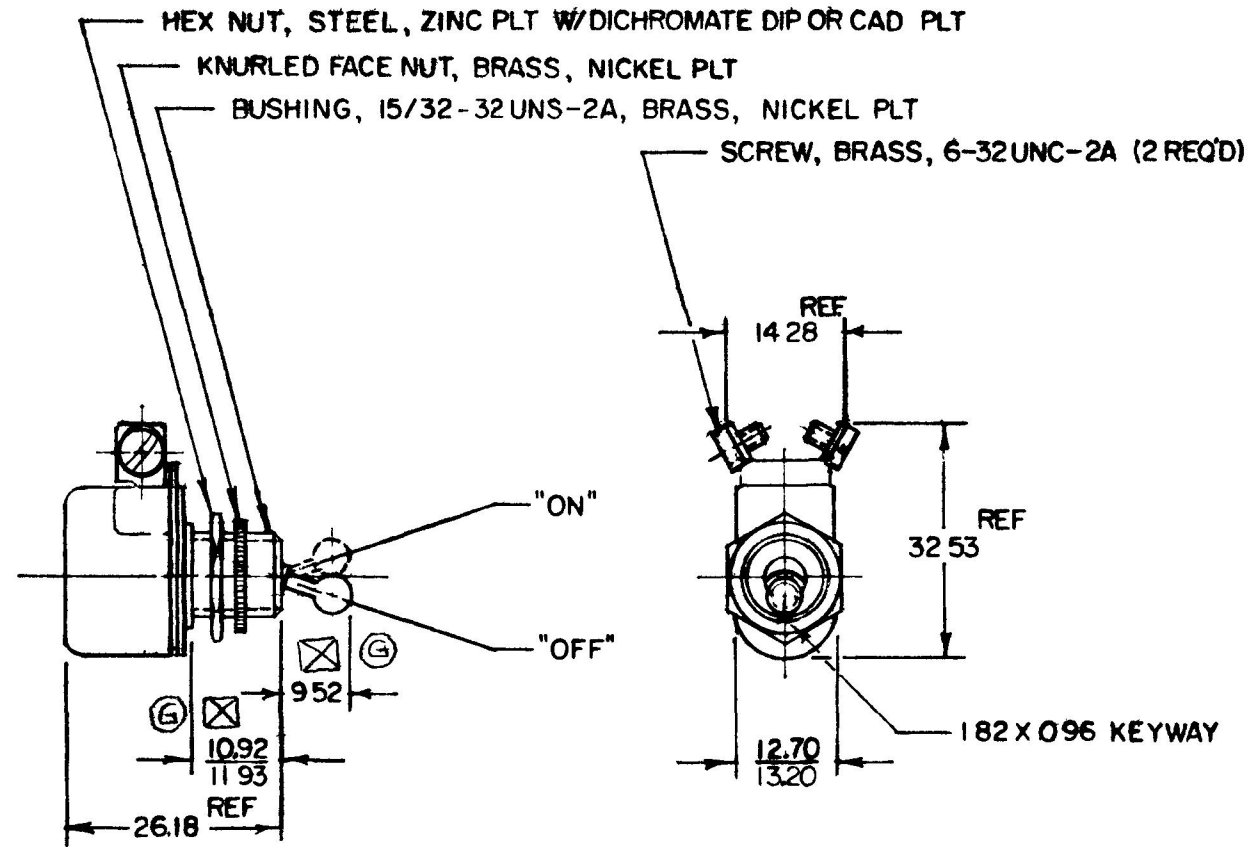


5507

MMX
 .25
 9.92
 10.92
 11.93
 12.70
 13.20
 14.28
 16.18
 22.53
 4.92
 1.82

MM
 .010
 .031
 .038
 .072

REF
 M493



METRIC

10 AMPS @ 12V DC

DO NOT SCALE

LET	WAS	DATE	BY	LET	WAS	DATE	BY	MATERIAL	DRAWN	CHECKED	APPRV'D	SCALE	DATE DRAWN
								—#—	KR	257		1:1	7-27-50
								FINISH	Cole Hersee Co TOGGLE SWITCH				DATE BLUEPRINT
								—#—					
				G	ADD SYMBOL	2/25/42	RF	TOLERANCES	TOGGLE SWITCH 5507				
				F	REV & REDRAWN	12-3-79	RR	DECIMAL ± .010 METRIC ± .25					

CH 188(4 78)