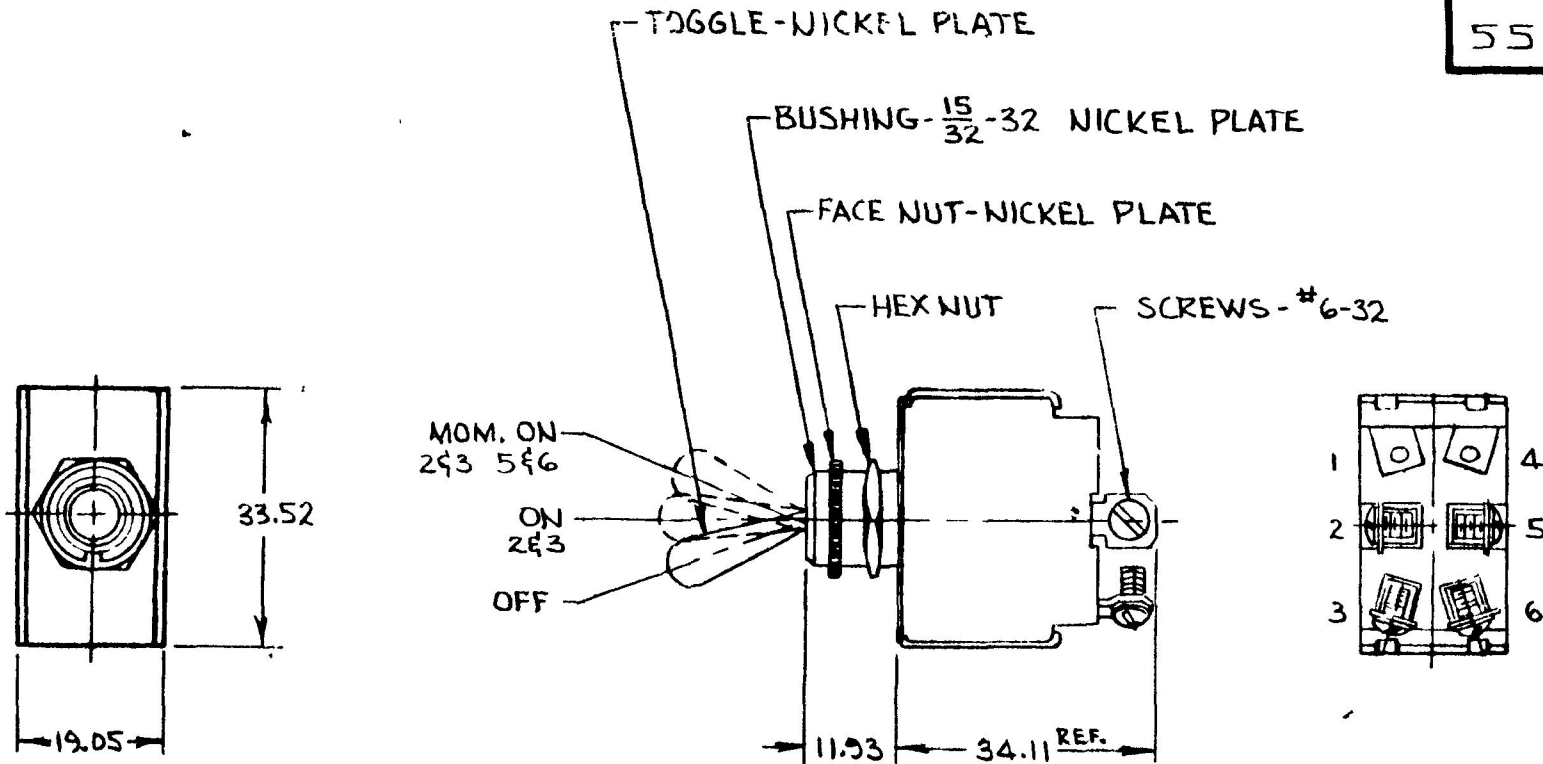


55094



- NOTES:
- 1. SILVER CONTACTS
  - 2. 25 AMPS @ 12V DC LAMP LOAD
  - 3. ALL STEEL PARTS PLATED

EX 23668

METRIC

DO NOT SCALE

LET	WAS	DATE	BY	LET	WAS	DATE	BY	MATERIAL	DRAWN	CHECKED	APPRVD	SCALE	DATE DRAWN
								—	RJF	AF		1:1	11-9-89
								FINISH	 <small>IN OLD COLONY AVENUE SOUTH BOSTON MA U.S.A. 02127</small>				DATE BLUEPRINT
								TOLERANCES					
					ISSUED	1-24-90	AF	DECIMAL ± METRIC ±	SWITCH, TOGGLE, 3 POS.				55094