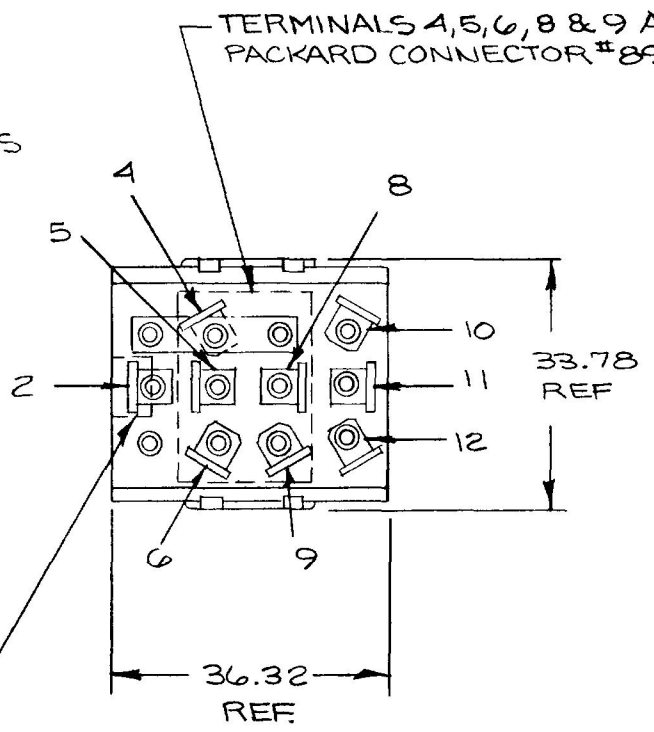
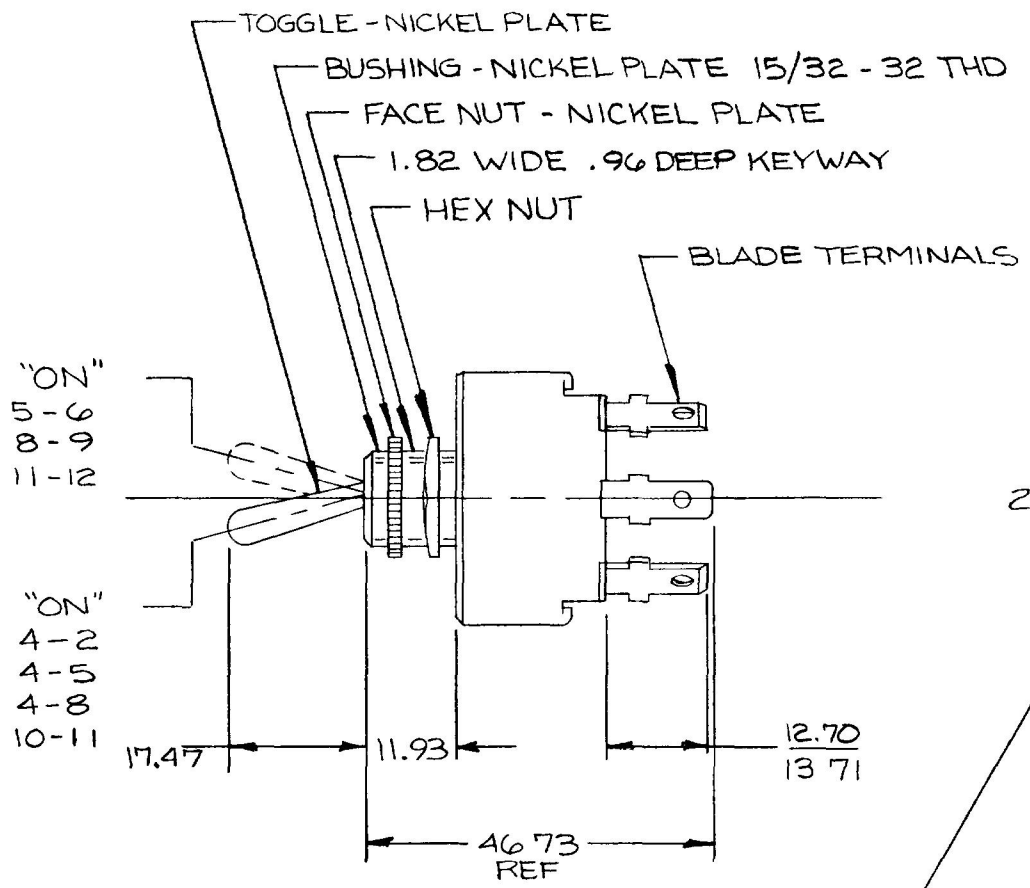


55107-01

MM	IN
.96	.038
1.82	.072
6.35	.250
11.93	.470
12.70	.500
13.71	.540
17.47	.688
33.78	1.330
36.32	1.430
46.73	1.840



TERMINAL 2,10,11&12 ACCEPT INDIVIDUAL PACKARD CONNECTORS #2962793

NOTE:
 1. 25 AMP -12 VOLTS LAMP LOAD
 2. ALL STEEL PARTS PLATED

EX 23109

DO NOT SCALE

LET	WAS	DATE	BY	LET	WAS	DATE	BY	MATERIAL	DRAWN	CHECKED	APPRV D	SCALE	DATE DRAWN
								<i>HH</i>	BK	<i>RF</i>		1:1	8-2-88
								FINISH	 20 OLD COLONY AVENUE SOUTH BOSTON MA U.S.A. 02127				DATE BLUEPRINT
								TOLERANCES					TOGGLE SWITCH 4 POLE
								DECIMAL ±					
								METRIC ±					
								ISSUED					
								8/23/88					
								<i>HF</i>					

CH-188(4-78)