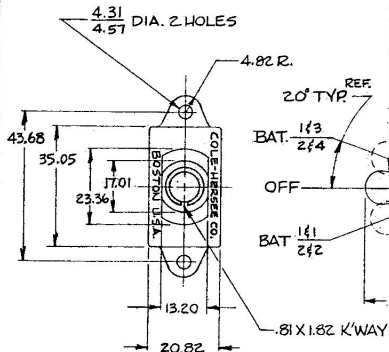


COLE-HERSEE CO.

1.51 .032
 3.02 .072
 4.28 .090
 5.31 .110
 6.57 .130
 8.02 .150
 9.69 .170
 11.56 .190
 13.20 .210
 15.01 .230
 17.01 .250
 19.20 .270
 21.34 .290
 24.42 .310
 25.05 .330
 28.48 .350
 33.02 .370

551806

Confidential property of Cole Hersee

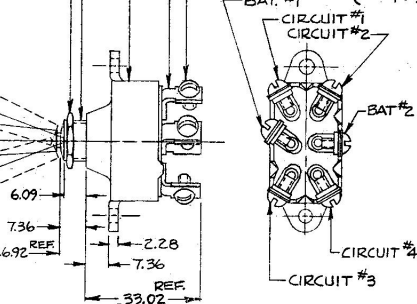


TOGGLE LEVER, BRASS, CHR. PLT.

HEX NUT, STEEL

BUSHING, 15/32-32 UNS-2 A THD
 HOUSING, ZINC DIE CAST

TERMINAL, STEEL
 SCREW-SEMS
 8-32 X 6.35 LG., STEEL
 (6 REQ'D)



NOTE:

- (M) ALL STEEL PARTS PLATED
- (N) 2. HEX NUT & SCREWS TO BE BAGGED

METRIC

DO NOT SCALE

LET	WAS	DATE	BY	LET	WAS	DATE	BY	MATERIAL	DRAWN	CHECKED	APPROVD.	SCALE	DATE DRAWN
								—	MF	CLB		1:1	2-25-64
								FINISH	COLE-HERSEE COMPANY BOSTON, MASS. 02127, U.S.A.				DATE BLUEPRINT
							—	TOLERANCES					D.P.D.T. TOGGLE SW.
								FRACTIONAL ±					
								DECIMAL ±.25					

N ECN 01 005 1/4/01 02
 M CAD OR 21N C/25234 11/19/92 5H
 L REDRAWN 10.1-76 1/6