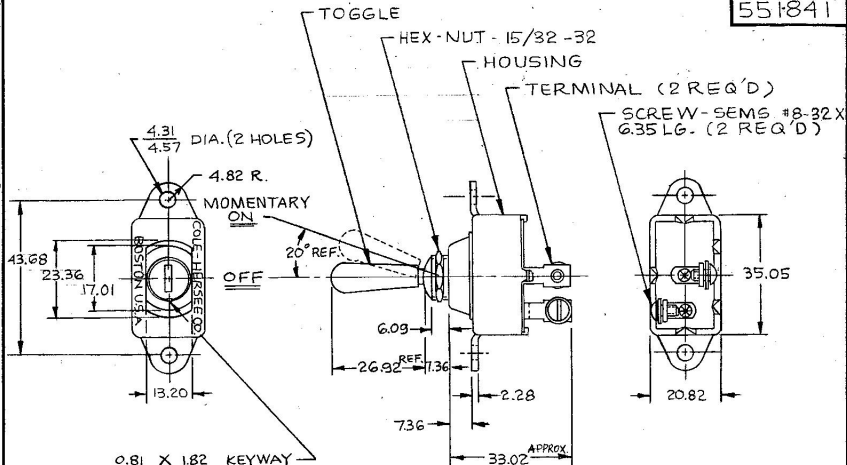


551841

SCREW-SEMS #8-32 X  
6.35 LG. (2 REQ'D)

- NOTES:
1. ALL STEEL PARTS PLATED
  2. EXTRA HEAVY DUTY (SILVERED CONTACTS)
  - ③. HEX NUT & SCREWS TO BE BAGGED
- DO NOT SCALE

Confidential property of Cole Hersee

METRIC

LET.	WAS	DATE	BY	LET.	WAS	DATE	BY	MATERIAL	DRAWN	CHECKED	APPR'D	SCALE	DATE DRAWN
									RZ	AF		1:1	5-6-65
								FINISH					DATE BLUEPRINT
									<b>CH</b> Cole Hersee Co. <small>125 STATE STREET BOSTON, MASS. U.S.A.</small>				
				H	ECW 01005	1/14/01	Dg	TOLERANCES	S.P.-S.T. MOM. TOGGLE SW 551841				
				G	REDRAWN	9/13/90	E.L.	DECIMAL ± METRIC ±.25					