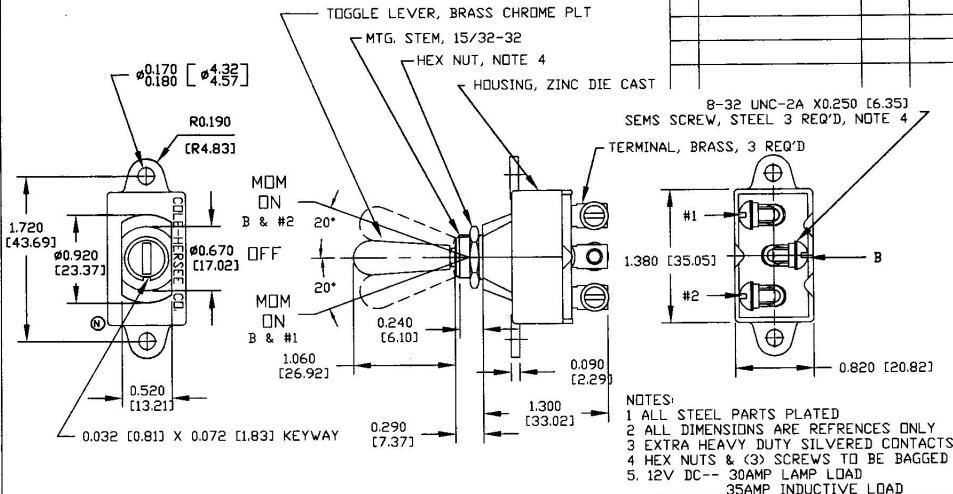


Revision Control Record

Rev.	Description of Change	ECN No.	Date
N	DELETE 'BOSTON U.S.A'	04449	11/05/04



Tolerances: Unless otherwise specifically noted, the following are default tolerances:
 * 2-place Decimal Dimensions $\pm .02"$
 * 3-place Decimal Dimensions $\pm .005"$
 * Angular Dimensions ± 1.0 Deg.
 * Metric: Refer to equivalent English Dimension Tolerance
 * NOTE: All tolerances are Non-Cumulative. <<<<

Dimensional Units: All dimensions are expressed in inches except those shown in brackets (ccc) are expressed in millimeters

REF. or an Adjacent P. = Non-Tolerance Reference Dimension, shown for identification purposes only.

Used On or Ref.: Scale: **1:1**

PROPRIETARY INFORMATION: This Engineering Drawing, and the information contained herein, is proprietary to Cole Hersee Company and may not be disclosed, re-produced, or in any other way transferred or communicated to any other party without the express written consent of an authorized representative of Cole Hersee Company.

DESIGN CONTROL: It is the responsibility of the individual using/ referring this drawing to ensure that the noted design revision level agrees with the revision level of the Controlled Document (Master Drawing). This is a NON-CONTROLLED DOCUMENT unless otherwise specifically noted.

DO NOT SCALE: Dimensional variation may occur during printing/ reproduction.

Drawn By: **RZ** Date: **5/6/65**

Key for Special Characteristics:

- Critical Characteristic, relating to Safety and/or Regulatory Compliance
- Significant Characteristic relating to Process Control (SPC)
- Control Dimension relating to Form - Fit - Function as defined by Cole Hersee Company and/or the Customer

(Note that the identification of any Characteristics as being "Special" does not alter the requirement that ALL specified dimensions & tolerances must be met.)

Responsible Engineer: **NA** Pg. 1 of 1

Cole Hersee Co.

CH 28 Old Colony Ave., South Boston, MA, 02127
 Phone 617-258-2100 Web www.colehersee.com

Description:
SW,SPDT,MOM,TOGGLE,SW

Drawing/ Part No.: **551844**

Current Rev.: **N**