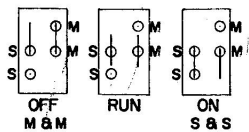
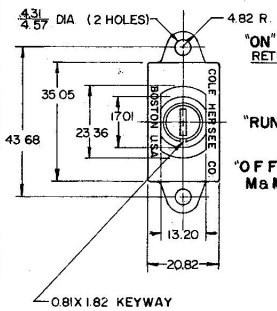
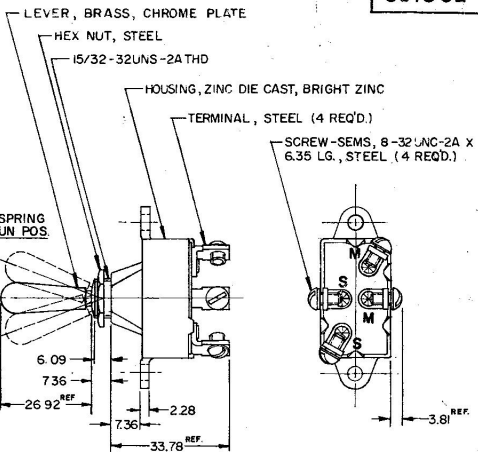


MM IN
 0.25 0.010
 0.61 0.024
 1.27 0.050
 2.29 0.090
 3.81 0.150
 5.08 0.200
 6.35 0.250
 7.62 0.300
 8.91 0.350
 10.16 0.400
 11.43 0.450
 12.70 0.500
 15.24 0.600
 17.78 0.700
 20.32 0.800
 22.86 0.900
 25.40 1.000
 27.94 1.100
 30.48 1.200

551862



CIRCUIT DIAGRAM



NOTES

1. SILVER CONTACT SURFACES.
2. MELAMINE LINER.
- ③ 3. ALL STEEL PARTS PLATED
- ④ 4. HEX NUT & SCREWS TO BE BAGGED

Confidential property of Cole Hersee

METRIC

DO NOT SCALE

LET	WAS	DATE	BY	LET	WAS	DATE	BY	MATERIAL	DRAWN	CHECKED	APPR'D.	SCALE	DATE DRAWN
									MF			1:1	12-28-66
								FINISH					DATE BLUEPRINT
								TOLERANCES					
								FRACTIONAL ±					MAG - IGN - START
								DECIMAL ± .25	TOGGLE SWITCH				

551862