

5558

Ⓣ TERMINAL, BRASS, SILVER PLATE

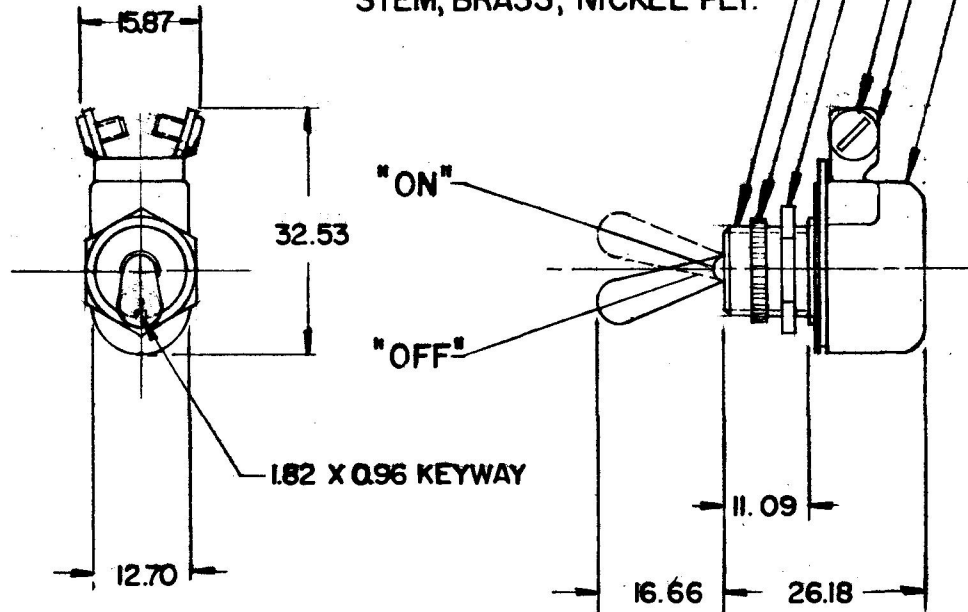
6-32UNC-2A BRASS SCREW, 4.74 LG. (2 REQ'D)

HEX NUT, STEEL, CADMIUM PLATE

KNURLED FACE NUT, BRASS, NICKEL PLT.

15/32 - 32 UNS-2A MTG
STEM, BRASS, NICKEL PLT.

INSULATOR, BAKELITE



REF MARINE M-484

METRIC

DO NOT SCALE

LET	WAS	DATE	BY	LET	WAS	DATE	BY	MATERIAL	DRAWN	CHECKED	APPR'D.	SCALE	DATE DRAWN
								---	RM	4-13-78		FULL	3-14-51
								---	COLE-HERSEE COMPANY BOSTON, MASS. 02127, U.S.A.				DATE BLUEPRINT
				F	ECN 2460	10-2-70	BL	TOLERANCES	TOGGLE SWITCH				5558
				E	REDRAWN	4-3-71	JV	FRACTIONAL ± DECIMAL ±0.25					

COLE-HERSEE CO.

M N

0.25	.010
0.96	.038
1.82	.072
4.74	.187
11.09	.437
12.70	.500
15.87	.625
16.66	.656
26.18	1.031
32.53	1.281

REF
M-484