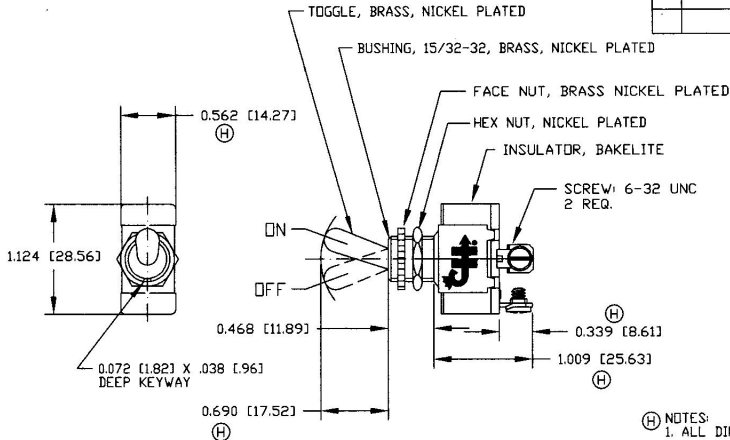


### Revision Control Record

Rev.	Description of Change	ECN No.	Date
H	PUT ON CAD	05083	01/04/05



- (H) NOTES:
1. ALL DIMENSIONS ARE REFERENCE
  2. ALL STEEL PARTS ARE ZINC PLATED
  3. SILVER CONTACT SURFACES.
  4. SWITCH RATING: 25A/12V; 15A/24V

**Tolerances:** Unless otherwise specifically noted, the following are default tolerances:  
 • 2-place Decimal Dimensions  $\pm .02"$   
 • 3-place Decimal Dimensions  $\pm .005"$   
 • Angular Dimensions  $\pm 1.0$  Deg.  
 • Metric: Refer to equivalent English Dimension Tolerance  
 >>> NOTE: All tolerances are Non-Cumulative. <<<

**Dimensional Units:** All dimensions are expressed in inches except those shown in brackets (xxx) are expressed in millimeters

"REF." or an Asterisk (\*) = Non-Toleranced Reference Dimension, shown for identification purposes only.

**PROPRIETARY INFORMATION:** This Engineering Drawing, and the information contained herein, is proprietary to Cole Hersee Company and may not be disclosed, re-produced, or in any other way transferred or communicated to any other party without the express written consent of an authorized representative of Cole Hersee Company.

**DESIGN CONTROL:** It is the responsibility of the individual using/referencing this drawing to assure that the noted design revision level agrees with the revision level of the Controlled Document (Master Drawing). This is a NON-CONTROLLED DOCUMENT unless otherwise specifically noted.

**DO NOT SCALE:** Dimensional variation may occur during printing/reproduction.

**Special Characteristics:**

- Critical Characteristic, relating to Safety and/or Regulatory Compliance
- Significant Characteristic relating to Process Control (SPC)
- Key Characteristic relating to Form - Fit - Function as defined by Cole Hersee Company and/or the Customer

(Note that the identification of any Characteristics as being "Special" does not alter the requirement that ALL specified dimensions & tolerances must be met.)



**Cole Hersee Co.**

20 Old Colony Ave., South Boston, MA, 02127  
 Pbx: 617-269-2100 Web: www.colehersee.com

**Description:**

**SWITCH, TOGGLE . SPST  
OFF-ON**

**Drawing / Part No.:**

**5582**

**Current Rev.**

**H**

Used On or Ref. Scale: **1:1** Drawn By: **LMC** Data Drawn: **3/10/65**

Responsible Engineer: **G.AUGUSTE** Pg. 1 of 1