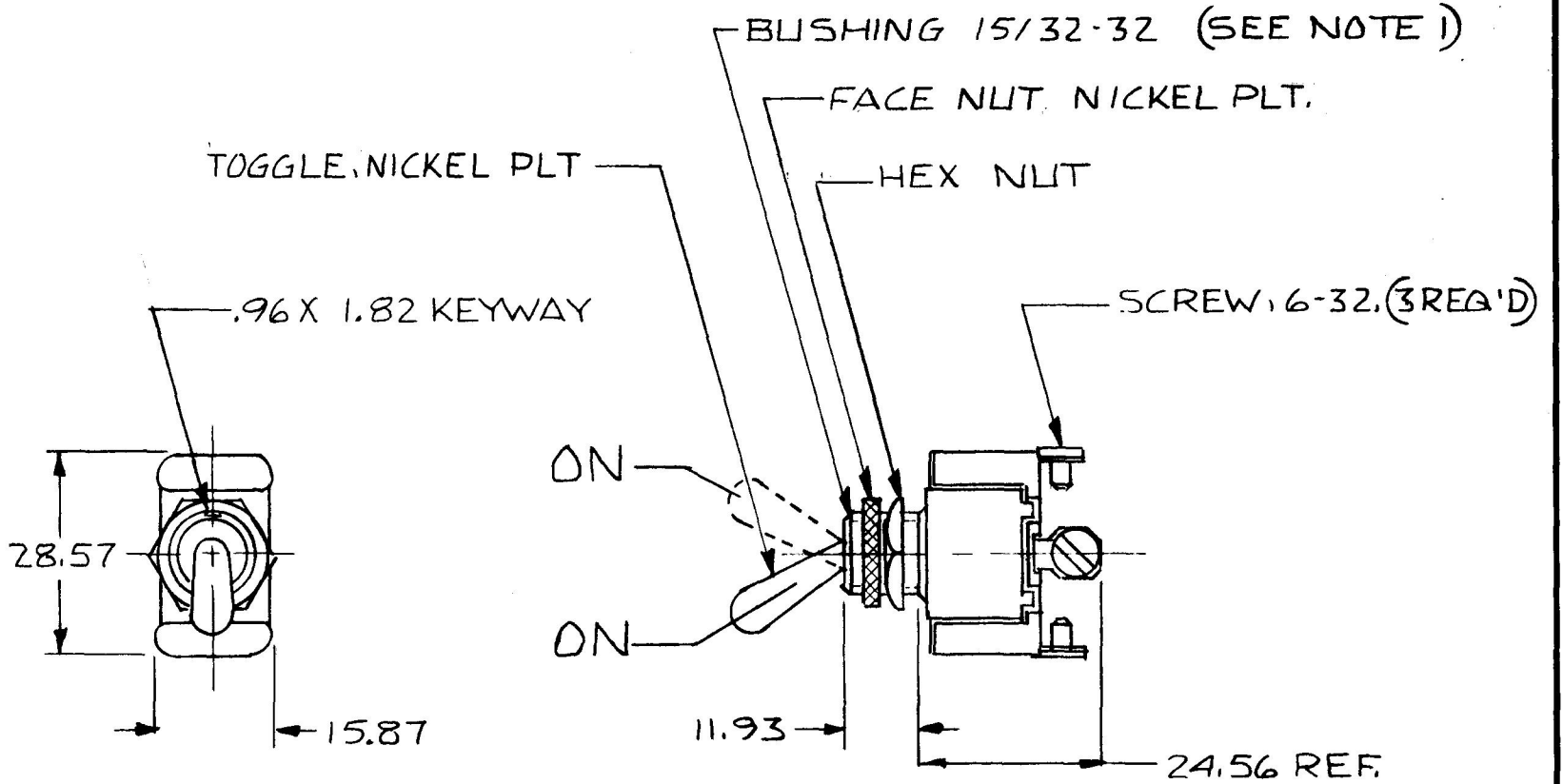


MM IN
 11.93 .470
 15.87 .625
 24.56 .967
 28.57 1.125
 .96 .038
 1.82 .072

5584-11


EX20268



NOTES
 1. O-RING SEAL AT BUSHING
 2. ALL STEEL PARTS PLATED

METRIC 25 AMPS @ 12 VDC

DO NOT SCALE

LET.	WAS	DATE	BY	LET	WAS	DATE	BY	MATERIAL	DRAWN	CHECKED	APPRV'D.	SCALE	DATE DRAWN
									PPS	RFB		1:1	6-17-83
								FINISH	 20 OLD COLONY AVENUE, SOUTH BOSTON, MA. U.S.A. 02127				DATE BLUEPRINT
								TOLERANCES DECIMAL ± METRIC ±					S.P.D.T. TOGGLE SW
					ISSUED	6/17/83	RFB						

CH-188(4-78)