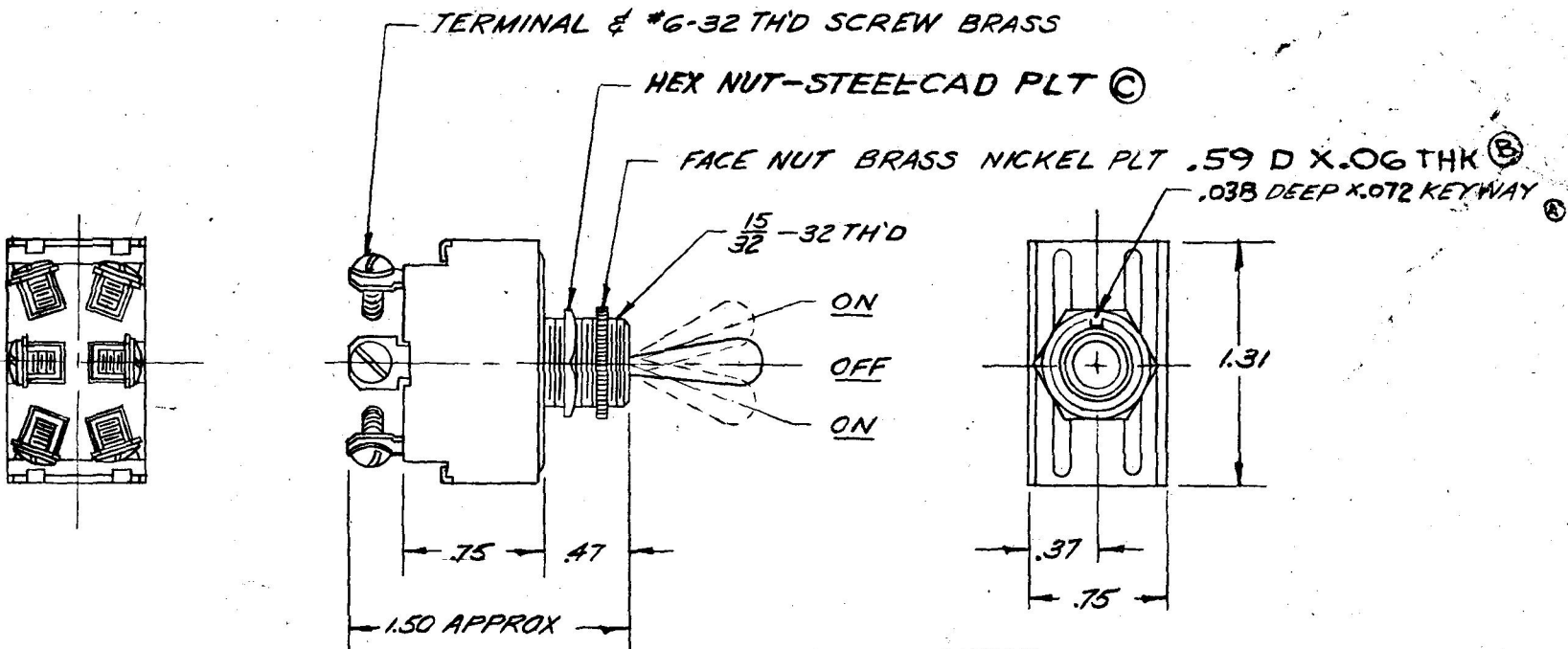


5592

20

COLE-HERSEE CO.



NOTE:
 © SILVER CONTACT SURFACES

| LET | WAS | DATE | BY | LET | WAS | DATE | BY | MATERIAL | DRAWN | CHECKED | APPR'D | SCALE | USED ON | DATE DRAWN |
|-----|-----|------|----|-----|------------------------|----------|------|-------------------------------------|---|---------|--------|-------|---------|-------------|
| | | | | | | | | — | JP | | | 1-1 | | 10-23-58 |
| | | | | D | ADD NOTE/25932 | 9/15/93 | T.H. | FINISH | COLE-HERSEE COMPANY BOSTON 27, MASS., U. S. A. | | | | | DATE ISSUED |
| | | | | C | BRASS NICKEL 16294 | 11-25-68 | N.B. | | | | | | | |
| | | | | B | ADDED PIN 16093 | 5-29-68 | R.V. | TOLERANCES | NAME D.P.D.T. "ON-OFF-ON" TOGGLE SWITCH | | | | | PART NO. |
| | | | | A | .03 x .06 KEYWAY 13832 | 1-17-64 | B | FRACTIONAL ± .015 DECIMAL ± .010 | | | | | | |