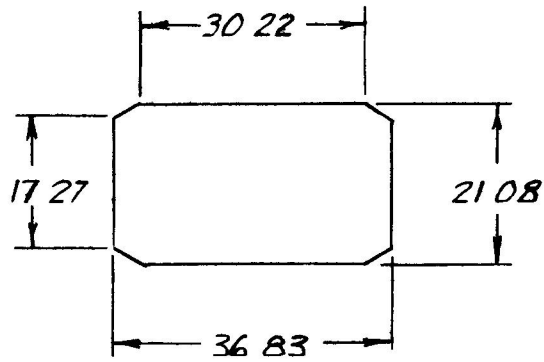
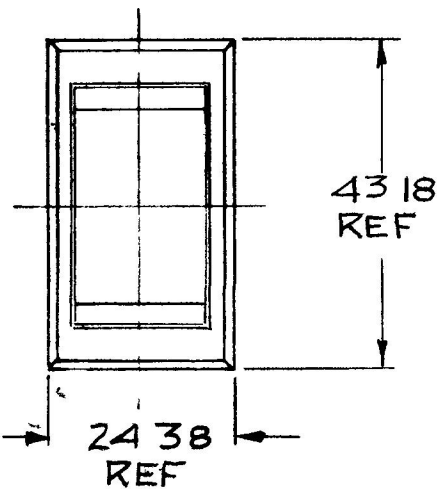


MM IN
 1727 680
 2108.830
 2438 960
 3022 1190
 3560 1401
 3683 1450
 4318 1700

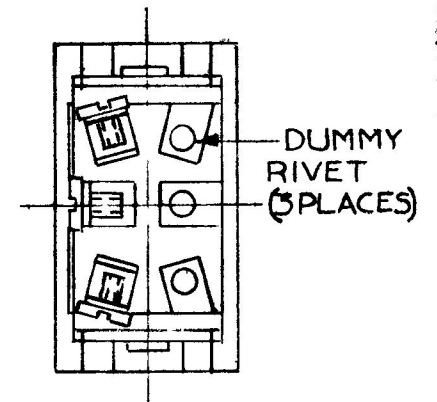
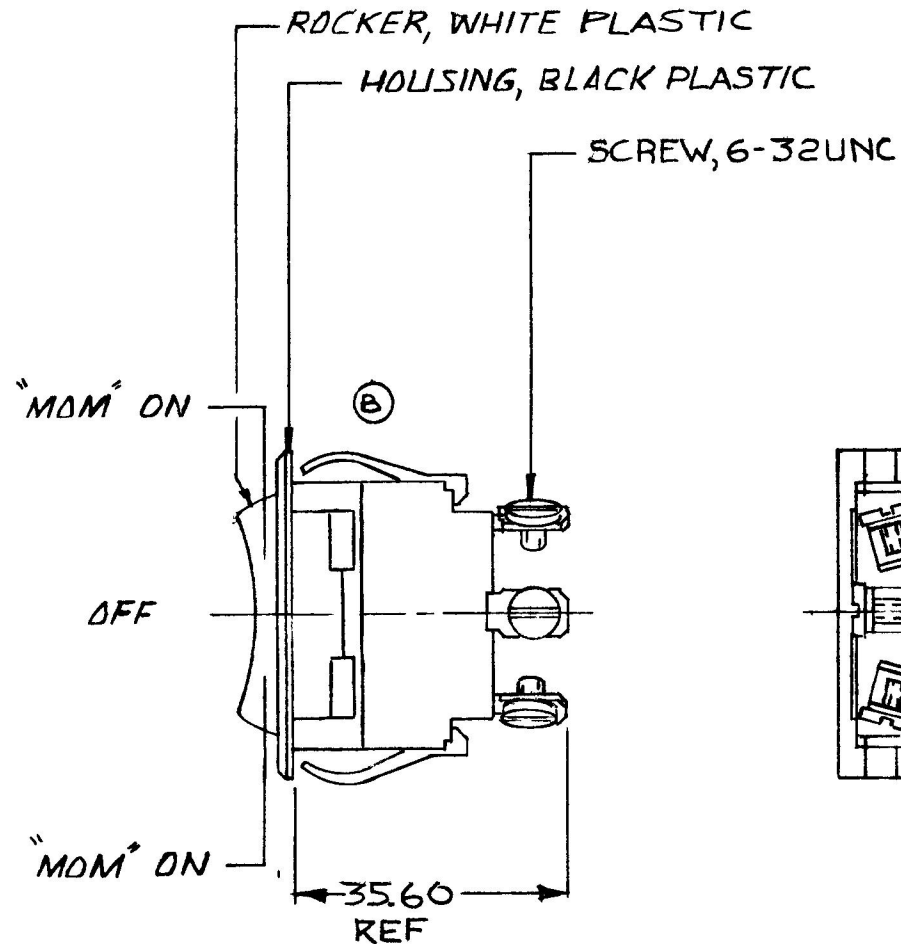
56012-04



MTG HOLE DETAIL



METRIC



- NOTES
 1. WEATHER PROOF
 2. SILVER CONTACTS
 3. HEAVY DUTY
 4. 25 AMP 12 VDC LAMP LOAD

DO NOT SCALE

LET	WAS	DATE	BY	LET	WAS	DATE	BY	MATERIAL	DRAWN	CHECKED	APPRV D	SCALE	56012-01 WEATHER PROOF	DATE DRAWN
								X	DPS	4-2-80		1:1		3-31-80
								FINISH	Cole Hersee Co.					DATE BLUEPRINT
				B	ECN 23335	12-11-86	ZU	X						
					ISSUED	10-7-81	RJR	TOLERANCES	SPDT ROCKER SW					56012-04
				A	REVISED	6-8-81	PS	DECIMAL ±						
								METRIC ± .25						

CH 188(4 78)