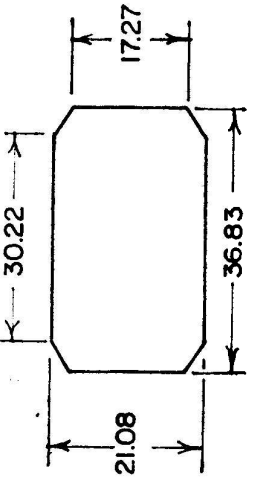
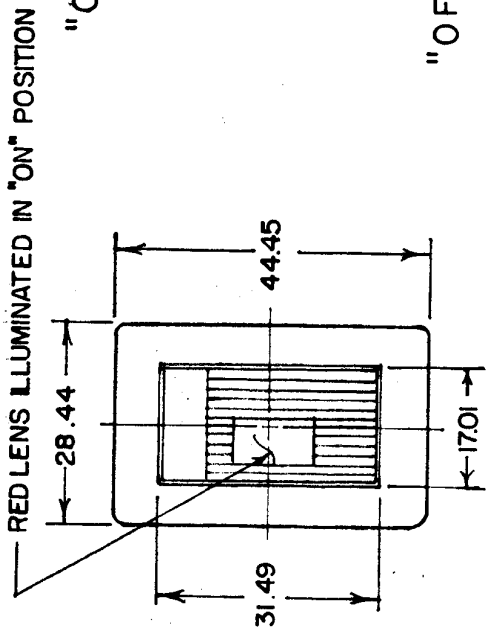


MM IN
 .25
 2.78
 5.63
 17.01
 17.27
 21.08
 28.44
 31.49
 31.77
 31.83
 44.45
 44.50

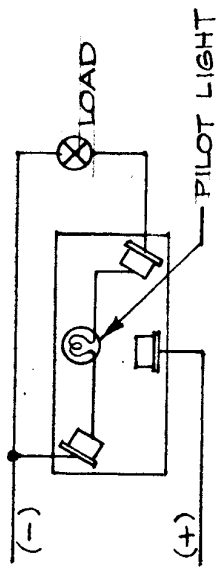
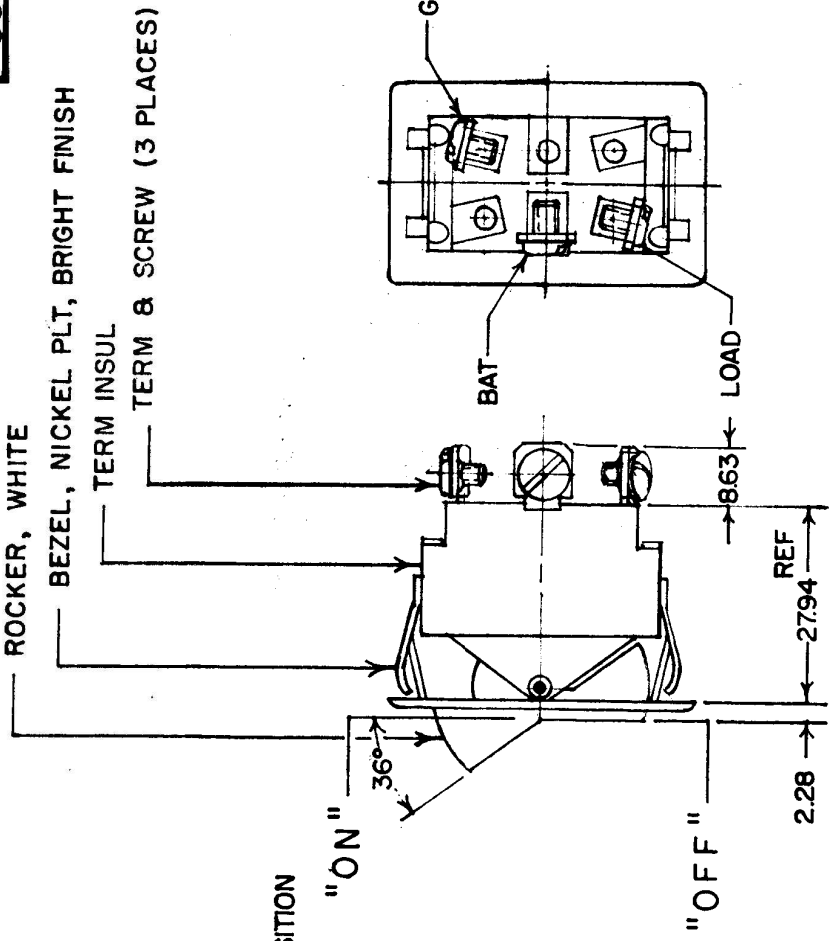
56300-02
 56300-06



MOUNTING HOLE DETAIL



RED LENS ILLUMINATED IN "ON" POSITION



NOTE:

1. HEAVY DUTY
2. SILVER CONTACTS
3. 25 AMPS AT 12 VDC LAMP LOAD

56300-06 SAME AS 56300-02 EXCEPT BEZEL, NICKEL PLT, DULL FINISH

METRIC

DO NOT SCALE												
LET.	WAS	DATE	BY/LET	WAS	DATE	BY	MATERIAL	DRAWN	CHECKED	APPR'D.	SCALE	DATE DRAWN
							#	CF	8-28-80		1:1	56300 W/WIDE BEZEL REPLACING BRACKET
							FINISH					DATE BLUEPRINT
							TOLERANCES					
							DECIMAL ±					
							METRIC ±					
				F. REDRAWN	8-27-80	R						56300-02
												56300-06



SPST ROCKER SWITCH W/PILOT LIGHT

CH-188(4-78)