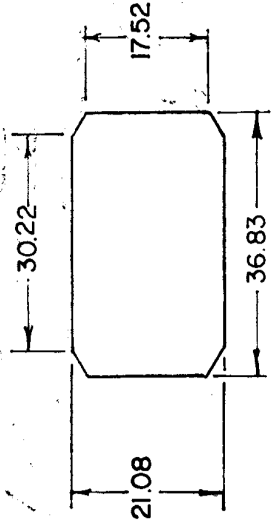
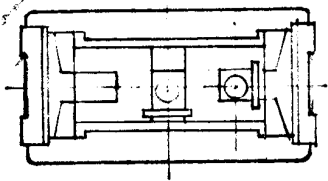
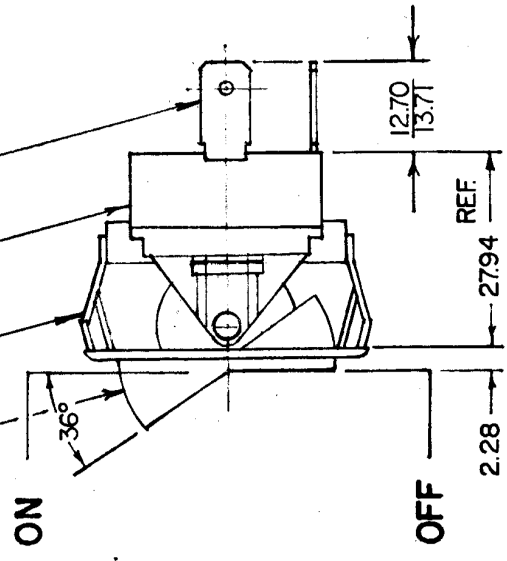
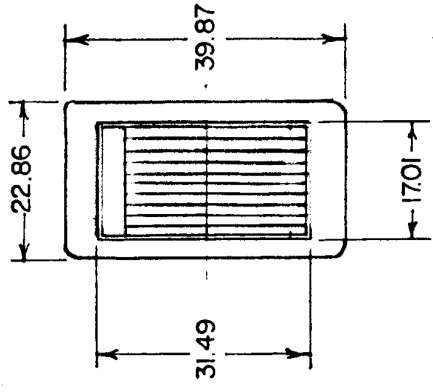


57000-01
57000-05

ROCKER, WHITE
BEZEL, STEEL, NICKEL PLT., BRIGHT FIN.
TERM. INSUL., MOLDED PHENOLIC
MALE BLADE TERM., BRASS, SAE J858
TYPE IB (2 REQ'D)



MOUNTING HOLE DETAIL



- NOTE:
1. HEAVY DUTY
 2. SILVER CONTACT RIVETS & SILVER CONTACT PAD
 3. 25 AMPS AT 12 VDC LAMP LOAD

METRIC

DO NOT SCALE

57000-05 SAME AS 57000-01 EXCEPT
BEZEL, NICKEL PLATE, DULL FINISH

LET.	WAS	DATE	BY LET	WAS	DATE	BY	MATERIAL	DRAWN	CHECKED	APPR'D	SCALE	DATE DRAWN
							#	CF	✓		1:1	9-19-67
							FINISH					DATE BLUEPRINT
<p>Cole Hersee Co. 30 COLONY AVENUE SOUTH BOSTON, MA, U.S.A. 02127</p>												
<p>S. P. - S. T.</p> <p>ROCKER SWITCH</p>												
<p>TOLERANCES DECIMAL ± .010 METRIC ± .25</p>												
				H REDRAWN	5-18-79	H						57000-01
												57000-05

MM	IN
2.28	.090
9.65	.380
12.70	.500
13.71	.540
17.01	.670
17.52	.690
21.08	.830
22.86	.900
27.94	1.100
30.22	1.190
31.49	1.240
36.83	1.450
39.87	1.570

CH-188(4-78)