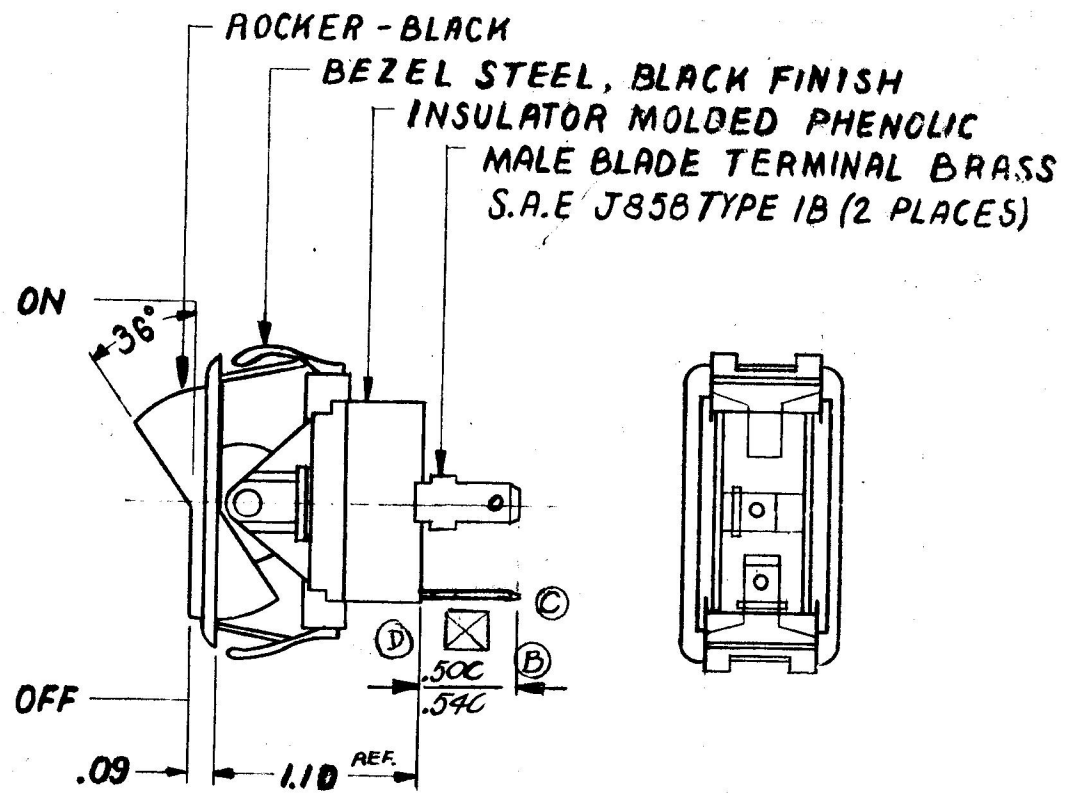
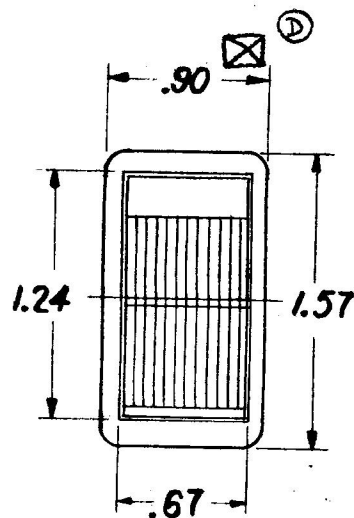
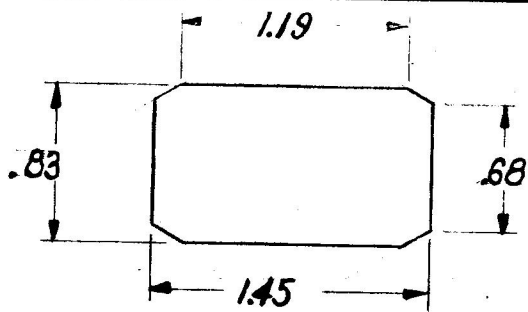


COLE-HERSEE CO.

NPM 1-24-73

57000-04



ROCKER - BLACK
 BEZEL STEEL, BLACK FINISH
 INSULATOR MOLDED PHENOLIC
 MALE BLADE TERMINAL BRASS
 S.A.E J85B TYPE 1B (2 PLACES)

NOTES:

SILVER CONTACT RIVETS AND
 SILVER CONTACT PAD.

HEAVY DUTY

25 AMPS @ 12VDC LAMP LOAD

DO NOT SCALE

LET	WAS	DATE	BY	LET	WAS	DATE	BY	MATERIAL	DRAWN	CHECKED	APPR'D.	SCALE	DATE DRAWN
				D	ADD SYMBOL	2-25-72	RF	#	R.B.	6/8/73		FULL	1-30-73
				C	REV TERMS	1-11-82	CB	FINISH					
				B	REV 18058	3-28-73	B	#					
				A	ADDED 18035	3-17-73	J	TOLERANCES					
					ISSUED	2-1-73	J	FRACTIONAL ±					
								DECIMAL ±.015					
COLE-HERSEE COMPANY												DATE BLUEPRINT	
BOSTON, MASS. 02127, U.S.A.													
SINGLE POLE SINGLE THROW ROCKER SWITCH												57000-04	

SPAULDING CO., INC. 47570