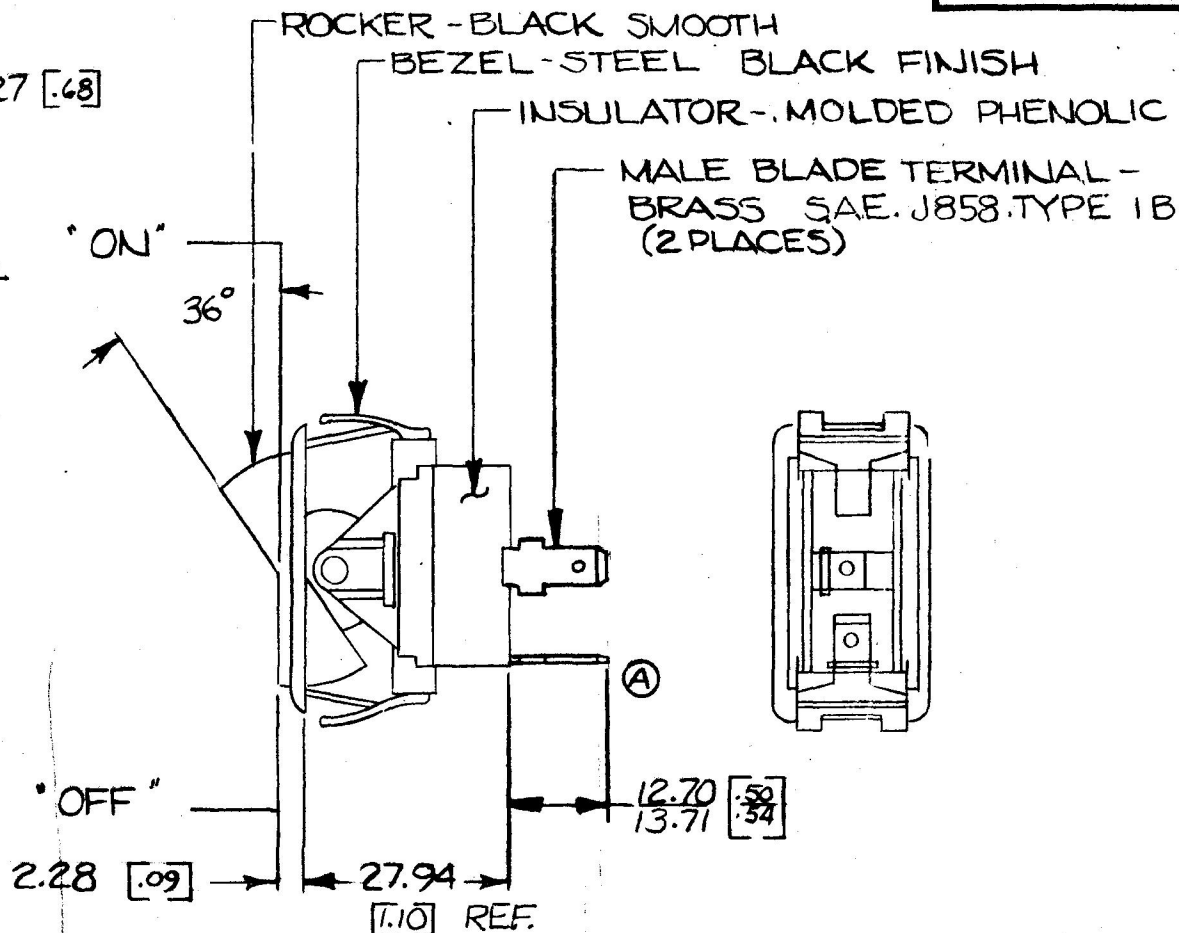
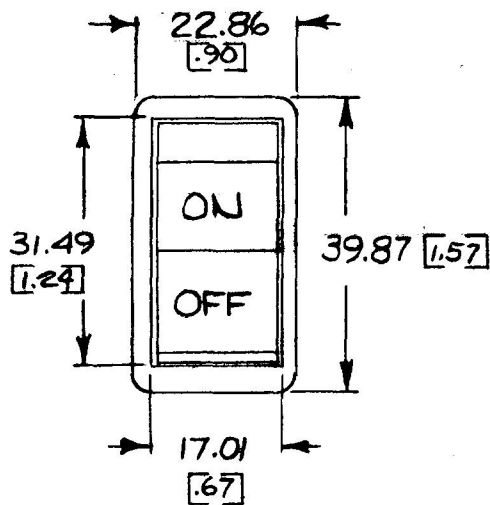
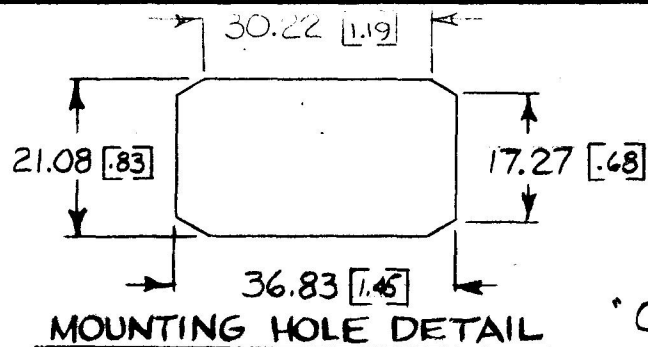


COLE-HERSEE CO. N.P.M. 1-5-76

57000-10



HEAVY DUTY

25 AMPS @ 12 VDC LAMP LOAD

NOTE:

- 1) DIMENSIONS: MILLIMETERS [INCHES]
- 2) SILVER CONTACT RIVETS AND SILVER CONTACT PAD

DO NOT SCALE

LET	WAS	DATE	BY	LET	WAS	DATE	BY	MATERIAL	DRAWN	CHECKED	APPR'D.	SCALE	57000-01, EXCEPT W/ SMOOTH BLK ROCKER & BLACK BEZEL	DATE DRAWN
								—//—	JWH	9-2-75		FULL		8-14-75
								FINISH	COLE-HERSEE COMPANY BOSTON, MASS. 02127, U.S.A.					DATE BLUEPRINT
								—//—						
				A	REV TERMS	1-11-82	(K)	TOLERANCES	SINGLE POLE SINGLE THROW ROCKER SWITCH					57000-10
					ISSUED	1-30-76	(F)	FRACTIONAL ±						
								DECIMAL ±.015						