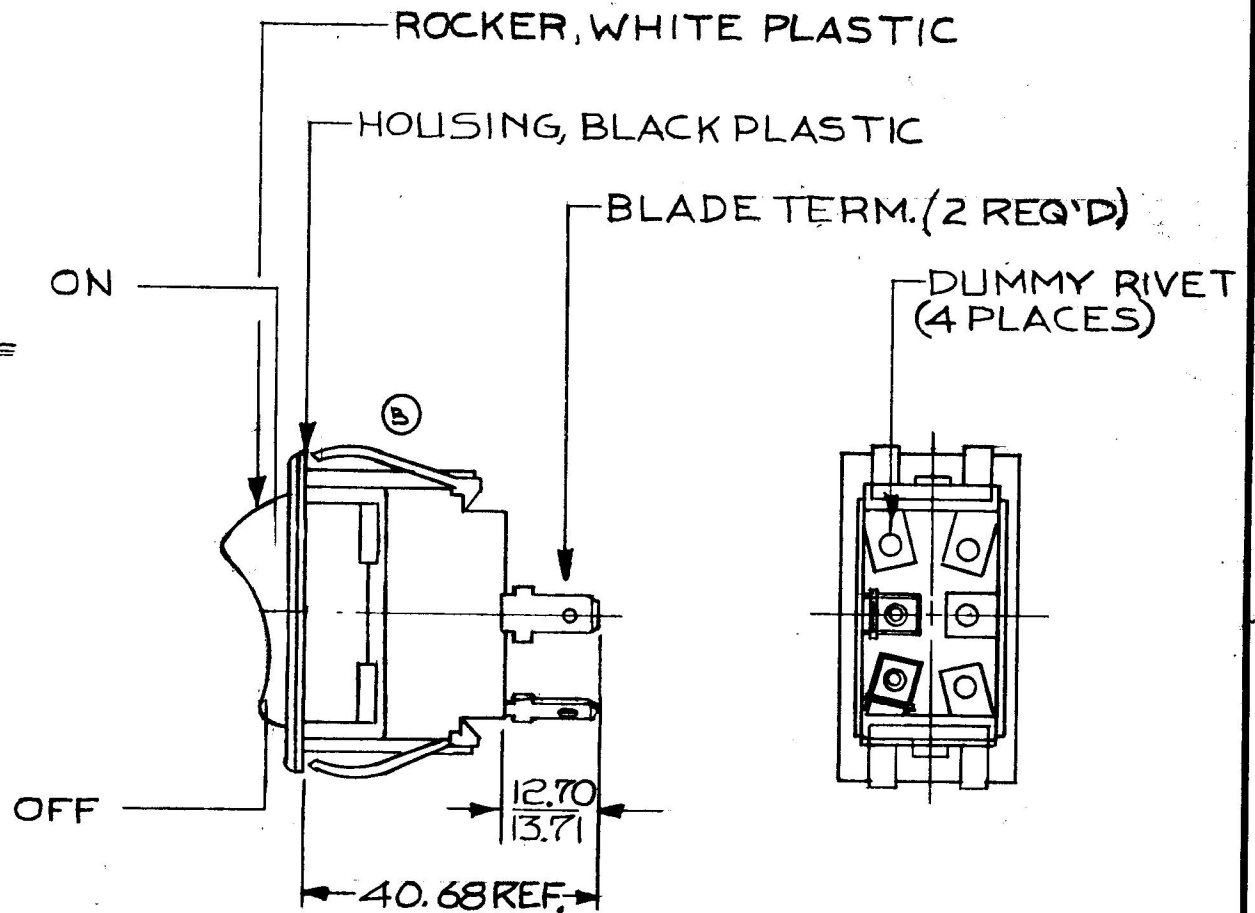
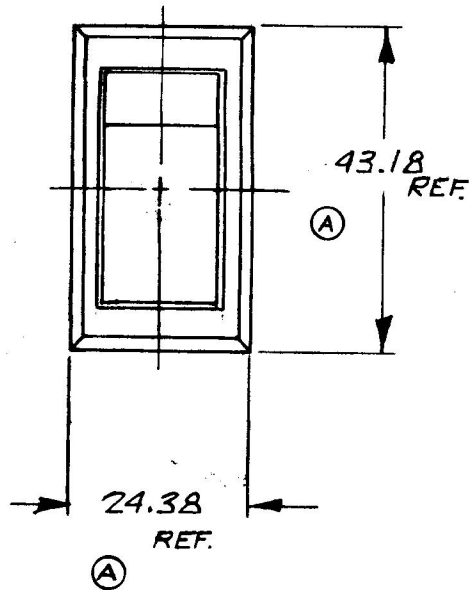
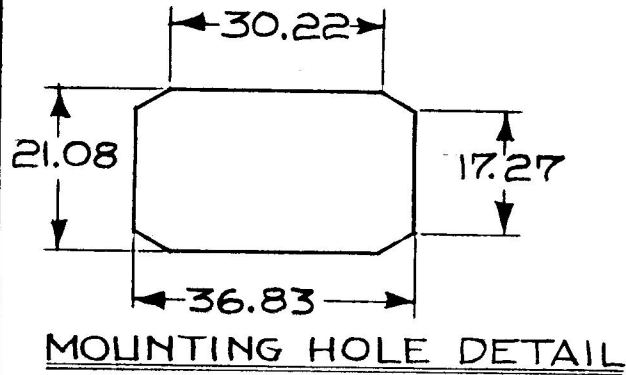


MM IN  
 .25 .010  
 12.70 .500  
 13.71 .540  
 17.27 .680  
 21.08 .830  
 24.38 .960  
 30.22 1.190  
 36.83 1.450  
 40.68 1.601  
 43.18 1.700


57000-23



- NOTES:  
 1. WEATHER PROOF  
 2. SILVER CONTACTS  
 3. HEAVY DUTY  
 4. 25AMPS @ 12VDC LAMP LOAD

METRIC

DO NOT SCALE

ET.	WAS	DATE	BY	LET	WAS	DATE	BY	MATERIAL	DRAWN	CHECKED	APPRV'D.	SCALE	BASIC-01 EXCEPT WEATHERPROOF	DATE DRAWN
									DPS	8-22-80		1:1		7-22-80
				B	ECN 23335	12-11-86	ZU							DATE BLUEPRINT
					ISSUED	5-5-81	RJP	TOLERANCES	 Cole Hersee Co. <small>20 OLD COLONY AVENUE, SOUTH BOSTON MA, U.S.A. 02127</small>					
				A	REVISED	4-21-81	EA	DECIMAL ± METRIC ±.25				S.P.S.T ROCKER SWITCH	57000-23	

CH-188(4-78)