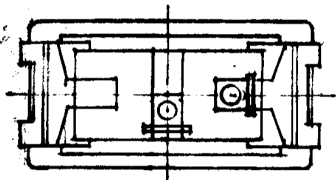
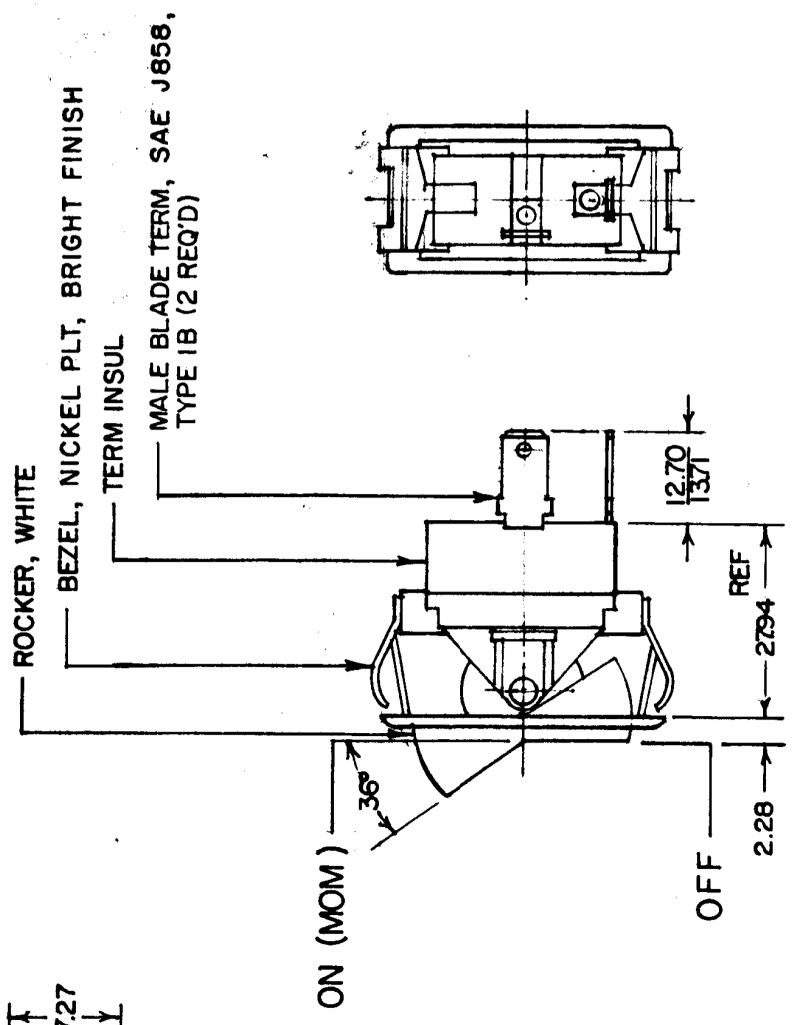
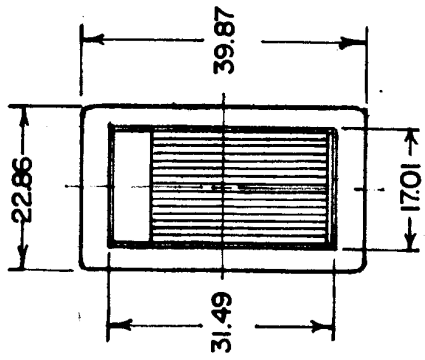
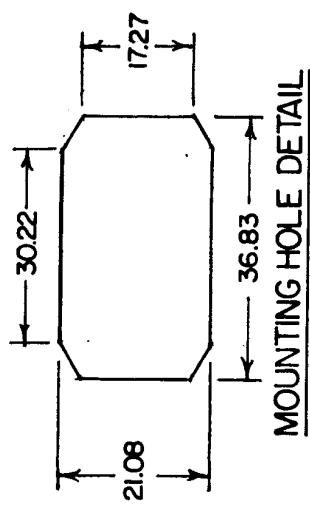


MM	IN
.25	.010
.3175	.0125
.38	.015
.4475	.0175
.51	.020
.5775	.0225
.645	.025
.7125	.0275
.78	.030
.8475	.0325
.915	.035
.9825	.0375
1.05	.040
1.1175	.0425
1.185	.045
1.2525	.0475
1.32	.050
1.3875	.0525
1.455	.055
1.5225	.0575

57001-01  
57001-05



METRIC

- NOTE:
1. HEAVY DUTY
  2. SILVER CONTACTS
  3. 25 AMPS AT 12 VDC LAMP LOAD

57001-05 SAME AS 57001-01, EXCEPT  
BEZEL, NICKEL PLATE, DULL FINISH

LET.	WAS	DATE	BY	LET	WAS	DATE	BY	MATERIAL	FINISH	TOLERANCES DECIMAL ± METRIC ±.25
								CF	—	—
								8-25-80	—	—
								1:1	57001 W/NARROW BEZEL REPLACING BRACKET	—
								APPR'D	SCALE	DATE DRAWN
									9-25-67	DATE BLUEPRINT
										57001-01 57001-05
								SP - ST <b>ROCKER SWITCH</b>		57001-01 57001-05

DO NOT SCALE

CH-188(4-78)