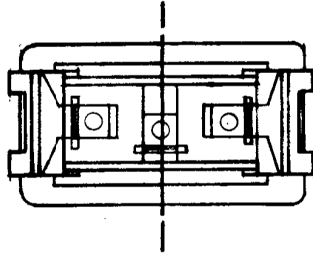
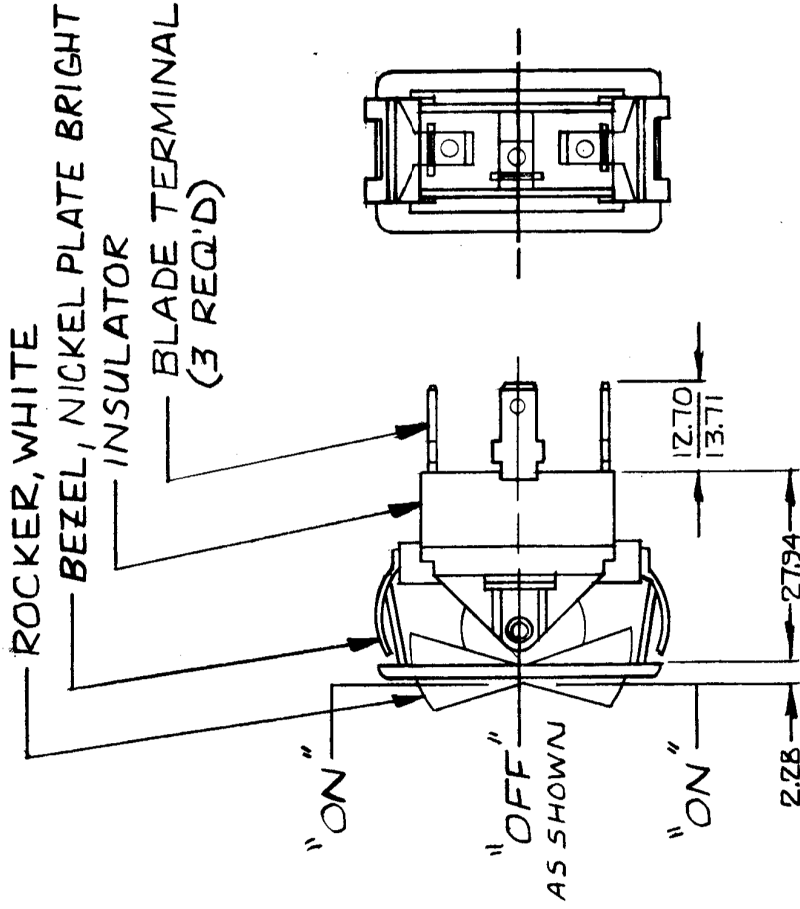
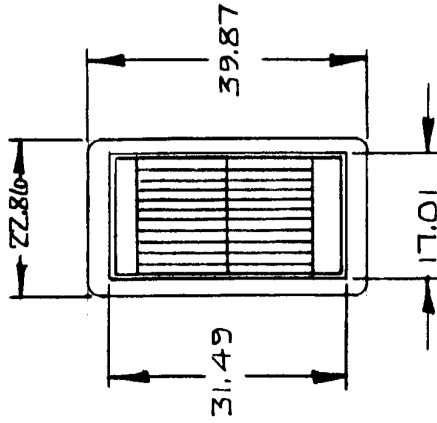
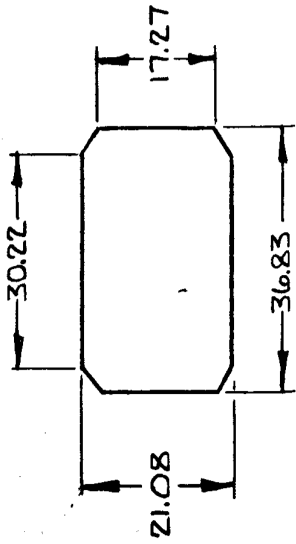


57003-01  
57003-05

MM	.010
IN	.25
	.090
	.278
	1.71
	13.71
	17.01
	17.27
	21.08
	22.80
	27.94
	30.22
	31.49
	36.83
	39.87
	1.450
	1.570



METRIC

57003-05 SAME AS 57003-01 EXCEPT BEZEL NICKEL PLATE DULL FINISH

NOTES:

1. SILVER CONTACT SURFACES.
2. HEAVY DUTY.
3. 25 AMPS @ 12V DC LAMP LOAD.
4. ALL STEEL PARTS PLATED.
5. ALL DIM'S. ARE REF. ONLY.

DO NOT SCALE

LET.	WAS	DATE	BY	LET	WAS	DATE	BY	MATERIAL	DRAWN	CHECKED	APPR'D	SCALE	57003 W/NARROW BEZEL REPLACING BRACKET.	DATE DRAWN
								#	CF			1:1		3-12-68
								FINISH						DATE BLUEPRINT
								TOLERANCES	 Cole Hersee Co. 10 OLD COLONY AVENUE SOUTH BOSTON, MA, U.S.A. 02127					
								DECIMAL ±						
								METRIC ±	S.P. - D.T. ROCKER SW.					57003-01
									REDRAWN NO. CHANGE					57003-05
									1-13-83					

CH-188(4-78)