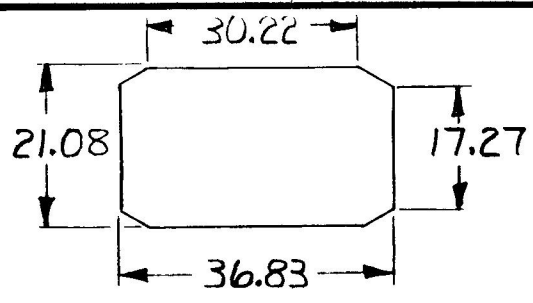
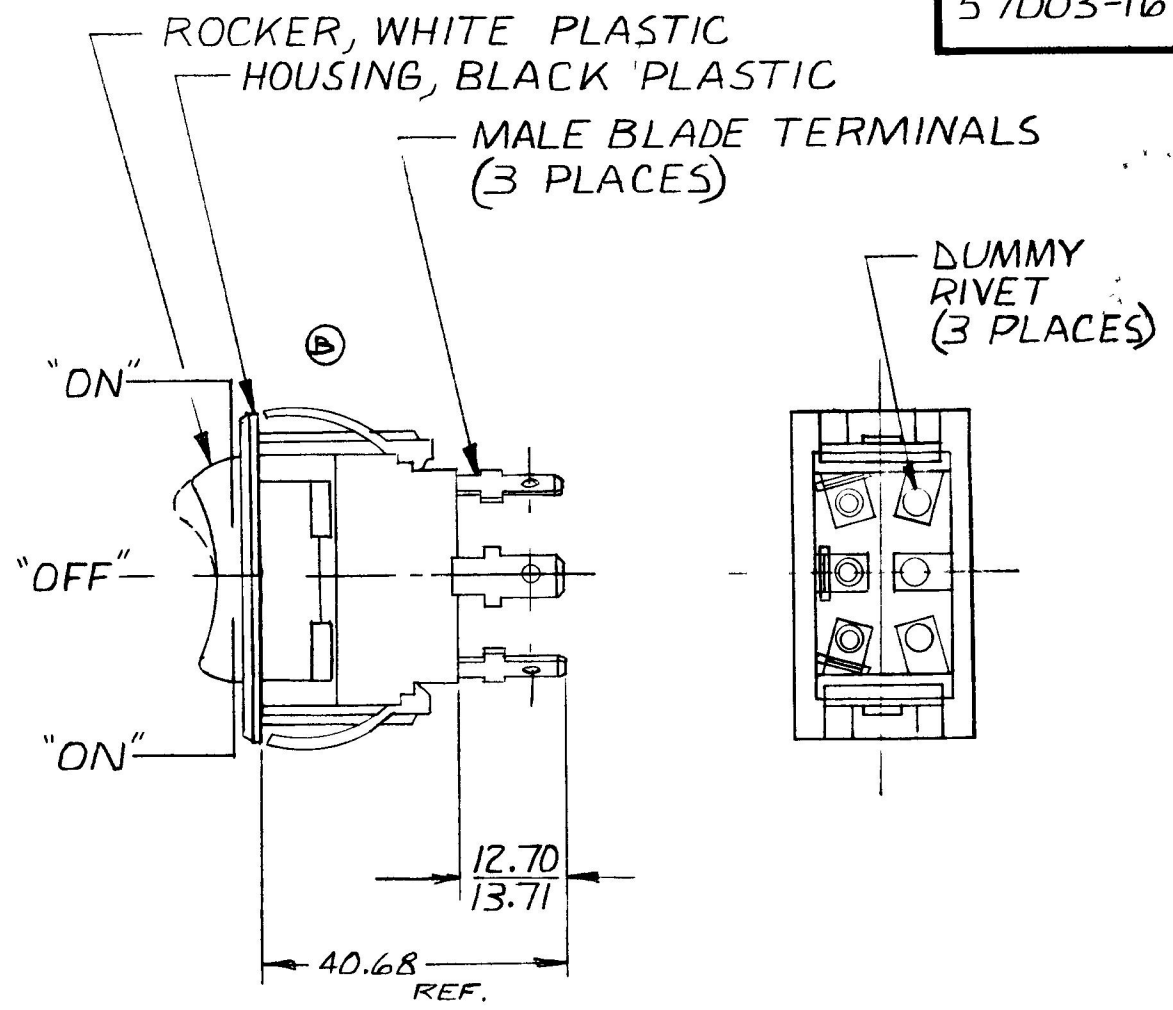
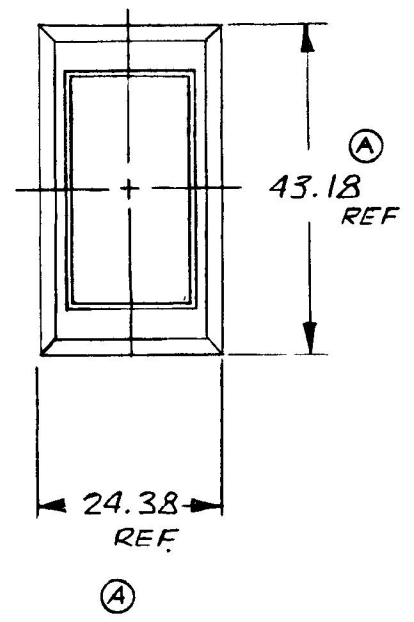


MM	IN
.25	.010
12.70	.500
13.71	.540
17.27	.680
21.08	.830
24.38	.960
30.22	1.190
36.83	1.450
40.68	1.601
43.18	1.700

57003-1b



MTG. HOLE DETAIL



- NOTE.
1. WEATHERPROOF
  2. SILVER CONTACTS
  3. HEAVY DUTY
  4. 25 AMPS @ 12V DC LAMP LOAD

METRIC

DO NOT SCALE

LET	WAS	DATE	BY	LET	WAS	DATE	BY	MATERIAL	DRAWN	CHECKED	APPRV D	SCALE	57003-01 WEATHERPROOF	DATE DRAWN
								—//—	(R)	TY		1:1		7-31-80
								FINISH						DATE BLUEPRINT
				B	ECN 23335	12-11-86	ZU	—//—	 Cole Hersee Co. <small>20 OLD COLONY AVENUE SOUTH BOSTON MA U.S.A. 02127</small>					
				A	ISSUED REVISED	10-7-81 4-21-81	RJR EA	TOLERANCES						S.P.D.T. ROCKER SWITCH
								DECIMAL ±						
								METRIC ± .25						

CH-188(4-78)