

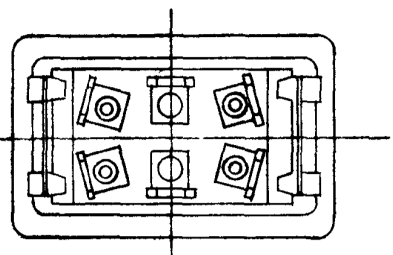
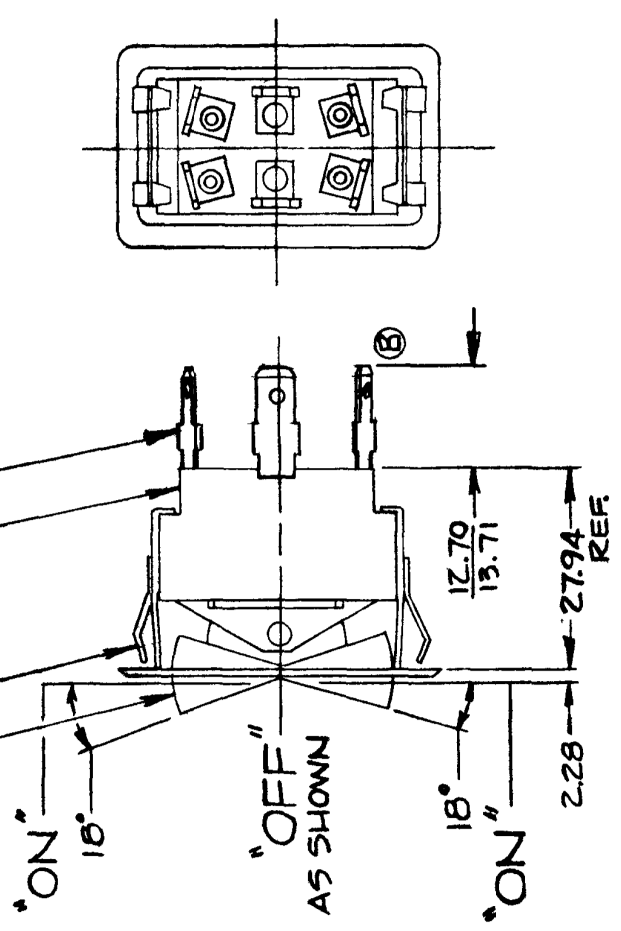
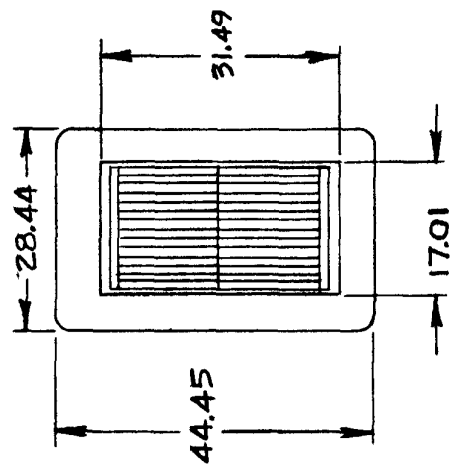
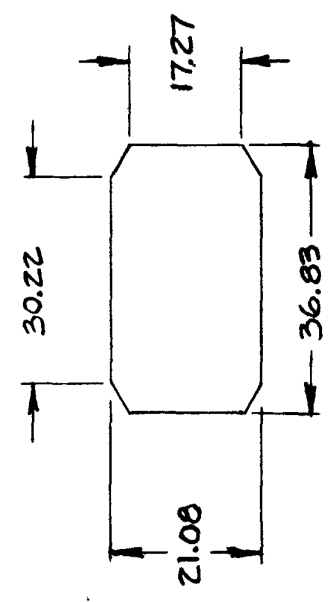
MM	IN.
.25	.010
2.25	.070
12.70	.500
15.71	.540
17.01	.670
17.27	.680
21.08	.830
27.94	1.100
28.44	1.120
30.22	1.190
31.49	1.240
36.83	1.450
44.45	1.750

COLE-HERSEE CO.

57006-02
57006-06

ROCKER, WHITE
BEZEL, STEEL, NICKEL PLT.,
BRIGHT FINISH
INSULATOR, MOLDED PHENOLIC
MALE BLADE TERM., BRASS
SAE J858 TYPE 1B (6 REQ'D)

MOUNTING HOLE DETAIL



METRIC

- NOTES:
1) 25 AMPS @ 12 VDC LAMP LOAD
2) SILVER CONTACT RIVETS AND SILVER CONTACT PAD.

57006-06 SAME AS 57006-02 EXCEPT BEZEL NICKEL PLT. DULL FINISH.

HEAVY DUTY

DO NOT SCALE		DATE DRAWN	7-30-76	
DATE BLUEPRINT	57006-02			
DATE	BY	LET	WAS	DATE
B	REV	TERMS	1-8-82	(B)
A	IVORY	1969B	11-5-76	(A)
	155U-1-D	8376		(Y)
MATERIAL	FINISH	TOLERANCES	DOUBLE POLE DOUBLE THROW	
ROCKER, WHITE	—	FRACTIONAL ±	ROCKER SWITCH	
BEZEL, STEEL, NICKEL PLT., BRIGHT FINISH	—	DECIMAL ±	ROCKER SWITCH	
INSULATOR, MOLDED PHENOLIC	—		ROCKER SWITCH	
MALE BLADE TERM., BRASS SAE J858 TYPE 1B (6 REQ'D)	—		ROCKER SWITCH	
DRAWN		CHECKED	APPR'D	SCALE
KG		8-376		1:1
BASIC WITH WIDE BEZEL		COLE-HERSEE COMPANY		
BOSTON, MASS. 02127, U.S.A.		BOSTON, MASS. 02127, U.S.A.		