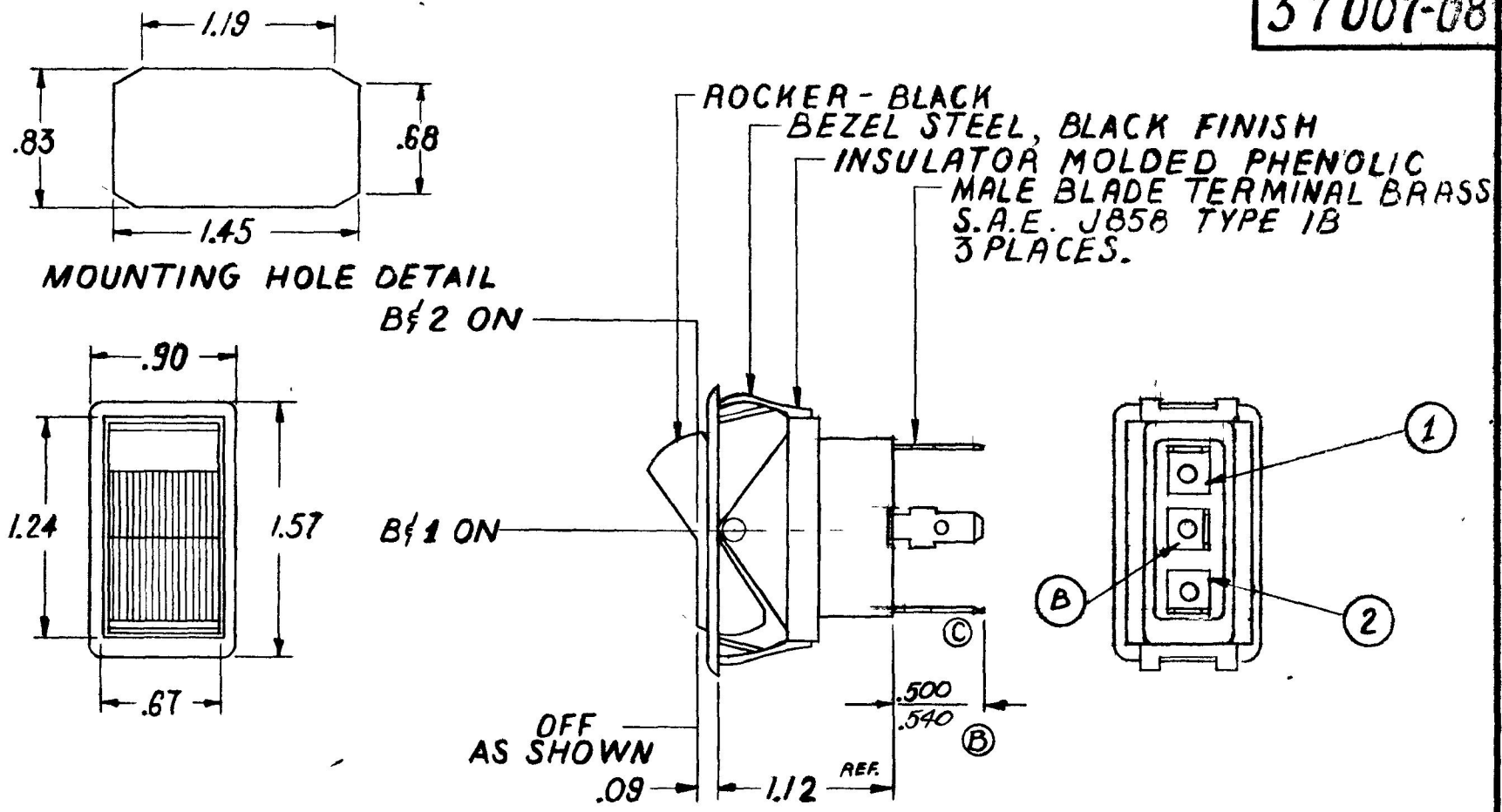


COLE-HERSEE CO.

NPM 1-24-73

57007-08



15AMPS @ 12VDC LAMP LOAD

DO NOT SCALE

LET	WAS	DATE	BY	LET	WAS	DATE	BY	MATERIAL	DRAWN	CHECKED	APPR'D	SCALE	DATE DRAWN
								<i>H</i>	RB	6/7 1-29-73		5/100 WITH BLK FULL BEZEL WITH BLK. ROCKER. (A)	1-26-73
				C	REV TERM	1-8-82	<i>G</i>	FINISH	COLE-HERSEE COMPANY BOSTON, MASS. 02127, U.S.A.				DATE BLUEPRINT
				B	REV 18058	3-28-73	<i>D</i>						
				A	APPR'D 18055	3-17-73	<i>L</i>	TOLERANCES	SP 3 POS. HEATER ROCKER SWITCH				57007-08
					ISSUED	2-1-73	<i>F</i>	FRACTIONAL ± DECIMAL ±.015					

SPAULDING CO., INC 47570