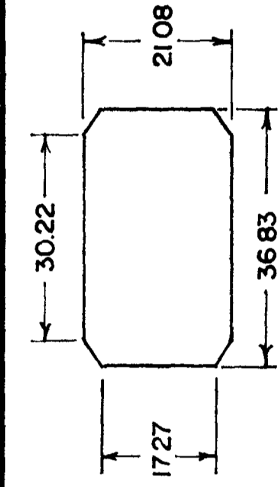
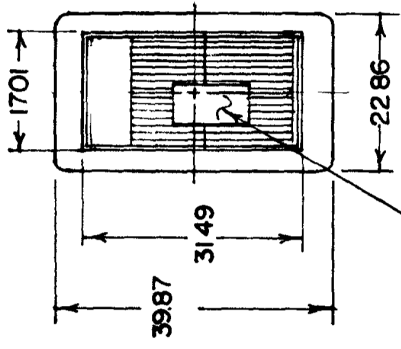


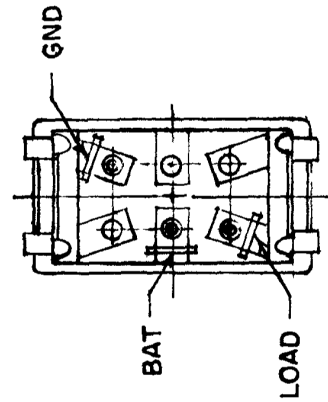
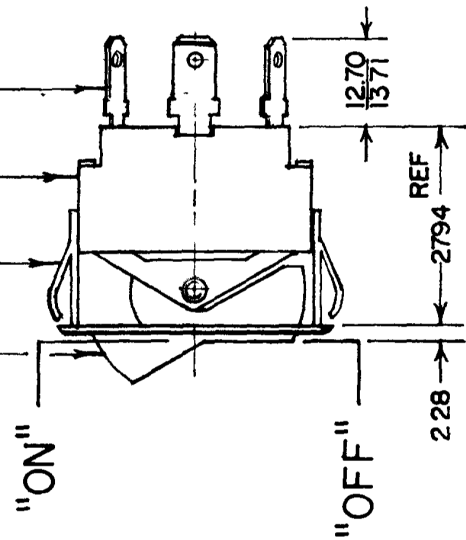
MM
 .25
 .28
 .30
 .35
 .40
 .45
 .50
 .55
 .60
 .65
 .70
 .75
 .80
 .85
 .90
 .95
 1.00
 1.10
 1.20
 1.30
 1.40
 1.50
 1.60
 1.70
 1.80
 1.90
 2.00



MOUNTING HOLE DETAIL



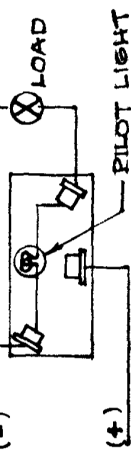
RED LENS ILLUMINATED IN "ON" POSITION



57300-01
57300-05

57300-05 SAME AS 57300-01 EXCEPT
 BEZEL, NICKEL PLT, DULL FINISH

ROCKER, WHITE
 BEZEL, NICKEL PLT, BRIGHT FINISH
 TERM INSUL
 MALE BLADE TERM (3 REQ'D)



- NOTE
1. HEAVY DUTY
 2. SILVER CONTACTS
 3. 25 AMPS AT 12 VDC LAMP LOAD

METRIC

LET	WAS	DATE	BY	LET	WAS	DATE	BY	MATERIAL	DRAWN	CHECKED	APPRV D	SCALE	57300 W/ NARROW BEZEL REPLACING BRACKET	DATE DRAWN	DO NOT SCALE
									CF	82780		1:1		9-28-67	
								FINISH							
								TOLERANCES							
								DECIMAL ±							
								METRIC ±.25							
 Cole Hersee Co. <small>20 BOLDWIN AVENUE SOUTH BOSTON, MA, U.S.A. 02127</small>															
SP-ST ROCKER SWITCH WITH PILOT LIGHT														57300-01	57300-05

CH-188(4-78)