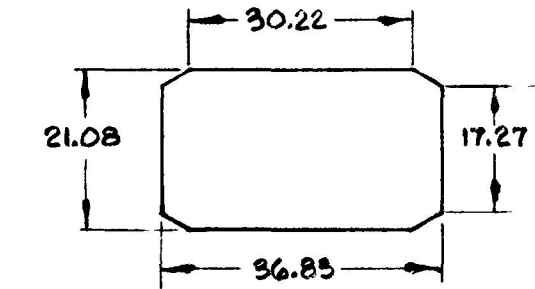
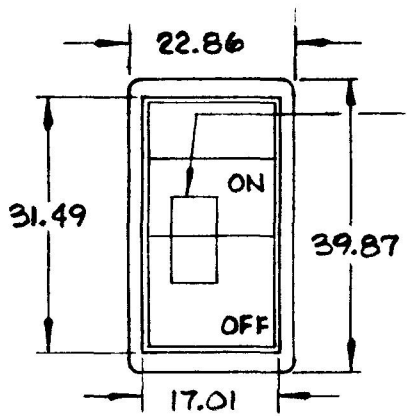


57300-11

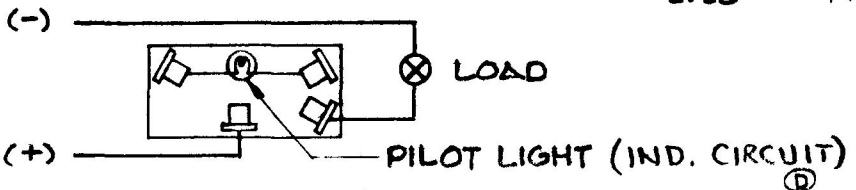
MM.	IN.
0.25	.010
2.28	.090
12.70	.500
13.71	.540
17.01	.670
17.27	.680
21.08	.830
27.94	1.100
30.22	1.190
31.49	1.240
36.83	1.450
39.87	1.570
22.86	.900



MOUNTING HOLE DETAIL

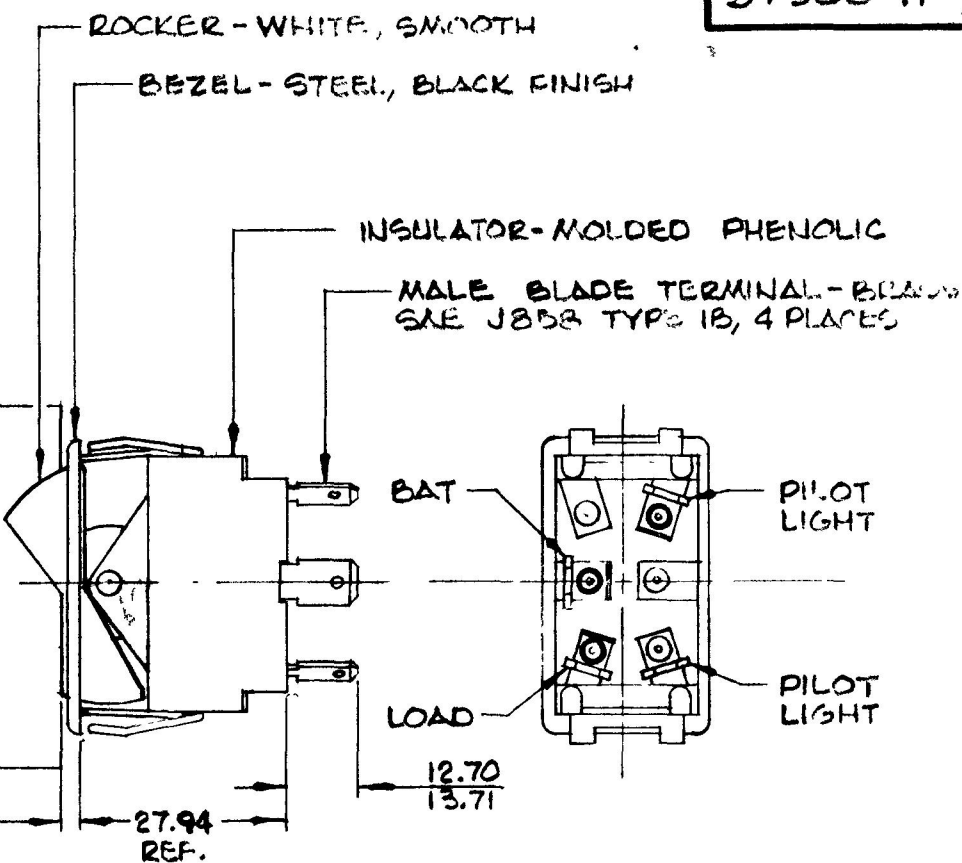


RED LENS - ILLUMINATED IN "ON" POS.



CIRCUIT DIAGRAM

METRIC



NOTES:

1. SILVER CONTACT RIVETS AND SILVER CONTACT PAD.
2. 25 AMPS @ 12 VDC LAMP LOAD.
3. HEAVY DUTY

COLE-HERSEE CO.  
 NPM 10-2-73  
 EX-16801

DO NOT SCALE

LET	WAS	DATE	BY	LET	WAS	DATE	BY	MATERIAL	DRAWN	CHECKED	APPR'D	SCALE	DATE DRAWN
								— II —	S.E.	1/12		1:1	9-26-73
								FINISH	<b>COLE-HERSEE COMPANY</b> BOSTON, MASS. 02127, U.S.A.				DATE BLUEPRINT
							— II —						9-26-73
				D	ALSO IND. CIRCUIT	7-2-82	WJF	TOLERANCES	<b>ROCKER SWITCH</b>				57300-11
				C	RE DRAWN METRIC	6-18-76	KG	FRACTIONAL ±					
								DECIMAL ±0.25					